

RENAULT

**PK100002 E**

NUMÉRO OFFRE: 2000110720

NOUVEAU

SUR COMMANDE


**DESCRIPTION**

Les grues de manutention PALFINGER se distinguent de par leur cycle de vie plus long. Elles sont les plus rentables et les plus fiables sur la durée de vie totale du produit, de la recherche de solutions jusqu'à la revente.

- **Des solutions mieux adaptées**
- **Une plus grande efficacité**
- **Une meilleure ergonomie**
- **Un entretien simplifié**
- **Une plus grande fiabilité**
- **Un meilleur respect de l'environnement**
- **Une plus grande maniabilité**
- **Une meilleure valeur de revente**
  
- Couple de levage maximum  
92,2 mt/ 904,5 kNm
- Capacité de levage maximale  
30000 kg / 294,3 kN
- Portée hydraulique maximale  
15,2 m

**DÉTAIL INFORMATION DE L'OFFRE**

Détail d'emplacement

Köstendorf, 5203 - Autriche 

Distributeur

PALFINGER EMEA GmbH



Disponibilité

Sur commande

Type produit

nouveau

Numéro offre

2000110720

Email du distributeur

sales@palfinger.com

Numéro de téléphone du distributeur

**004366488345792**

- Angle de rotation:  
interminable
- Couple de rotation 9,0  
mt/ 88,3 kNm
- Ecartement des stabilisateurs 8,6  
m
- Espace nécessaire au montage  
2,55 m

TRUCK

Axes

8x4

**PK 100002**

# WITH HPSC AND POWER LINK PLUS OPERATIONS ARE POSSIBLE EVEN IN RESTRICTED SPACES

**LIFETIME EXCELLENCE**



# LIFETIME EXCELLENCE

PALFINGER loader cranes are convincing due to their superior life-cycle performance. They are the most economical and also the most reliable over the entire product life. From solution finding to resale.

- **Better solutions**
- **Better efficiency**
- **Better ergonomics**
- **Higher availability**
- **More reliability**
- **Better ecology**
- **Higher serviceability**
- **Higher value retention**



# ENORMOUS OUTREACH AND PRECISION

- More lifting power due to E-HPLS
- Additional applications due to Power Link Plus
- More efficient and faster due to continuous slewing system
- Shorter loadcycles due to high speed extension
- Maximum reliability due to PAL 50





# FIRST-RATE IN DESIGN AND PERFORMANCE

## 12 Highlights



### Continuous slewing system

Unrestricted movement

More efficient in operation due to faster loading cycles, since the crane can be slewed over a shorter distance. The crane works more efficiently and faster.



### Power Link Plus

High variety of uses

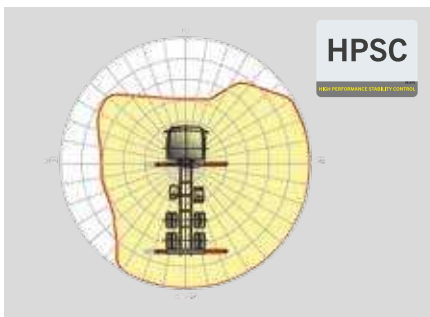
With the 10-degree reverse linkage system, you can reach through low door openings and also work inside buildings. Heavy crane work – even in difficult conditions.



### High Speed Extension

For efficient assignments

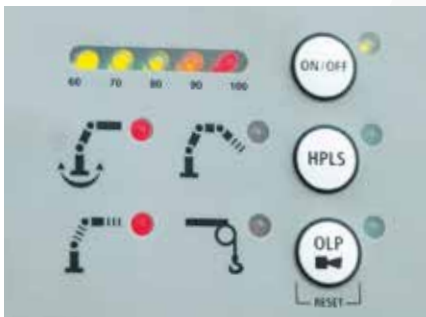
The High Speed Extension speeds up the extension boom system. Crane works faster and more efficiently.



### HPSC

Maximum utilisation of the working range

The variable stabiliser positioning of the High Performance Stability Control System makes it possible to utilise the lifting capacity to the maximum. It enables working within tight spaces.



### PAL 50

Comfort and safety

The PALTRONIC 50, PALFINGER offers the latest control electronics for the series production crane. The custom designed electronic operates and monitors the crane and offers more efficiency in use and safety.



### E-HPLS

Increased lifting capacity

The manually activated E-HPLS increases the capacity of the crane up to 10% while the operating speed is reduced. The crane operates more efficiently.



**Rope winch**

Additional applications

Greatest possible attention was paid to the operator-friendliness and efficiency in use thanks to the high lifting capacity, speed and optimum winding performance.



**Integral base frame**

Perfect integration

A Torsion resistant construction is possible due to an integral base frame. The low overall installation height and the weight savings allow for more efficiency in use.



**Radio remote control**

Dialogue with the operator

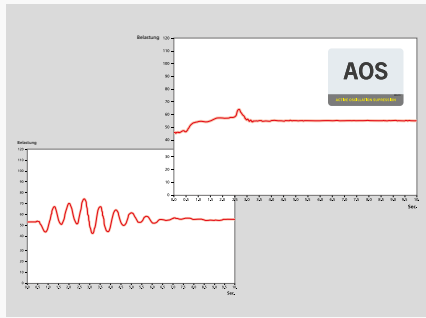
PALFINGER radio remote controls are equipped with linear lever or cross lever and provide the greatest possible comfort for the operator. All EH models with LED-Display inform the crane operator about the different operating conditions.



**Hose equipment for attachments**

Versatile and user-friendly

The hose equipment offers an easy means of connecting auxiliary equipment. The hose equipment is guided in hose trays for protection.



**AOS**

Maximum precision and safety

The active oscillation suppression system prevents „post-oscillation“ in the event of rapid braking or load changes. The stress peaks on the extension boom system are reduced and material fatigue and wear are minimised. This increases the resale value.



**Fly-Jib**

Additional working range

A fly-jib system extends the working range of the crane and increases the possible areas of application. More efficiency in use thanks to the improvement of the movement geometry of the crane.



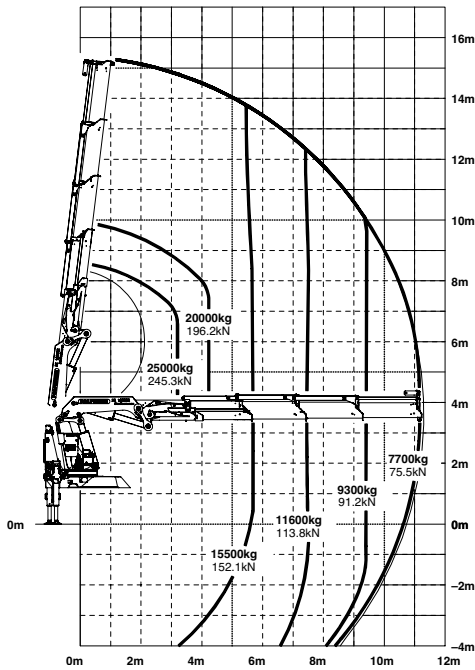
\*Optional features / country-specific equipment

PK 100002

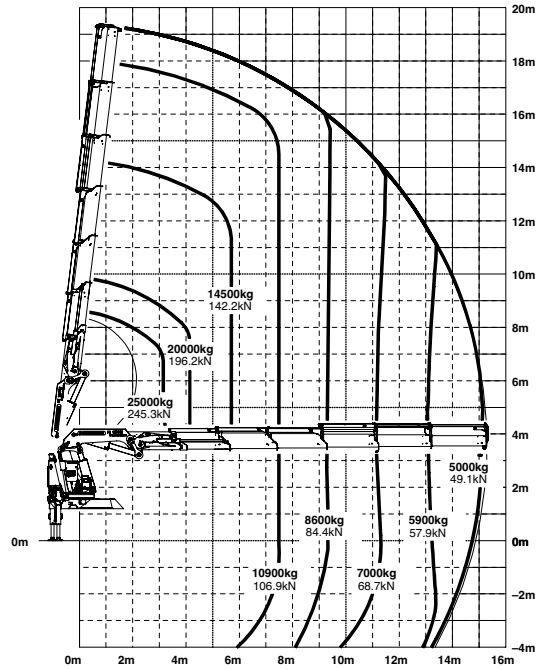
# HIGH PERFORMANCE

Reliable in every situation.

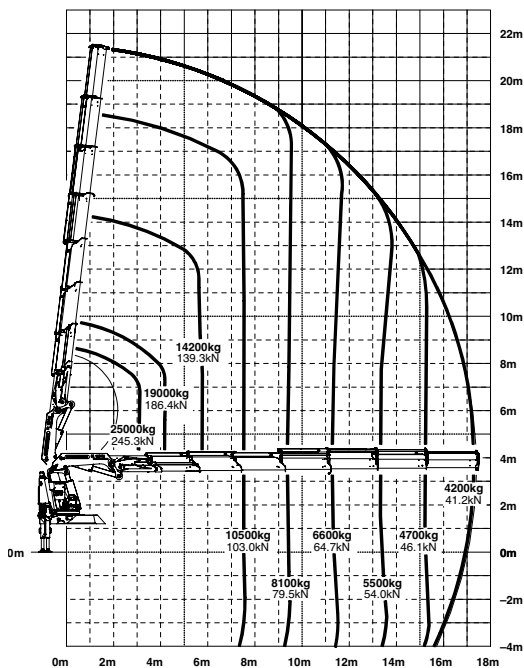
C



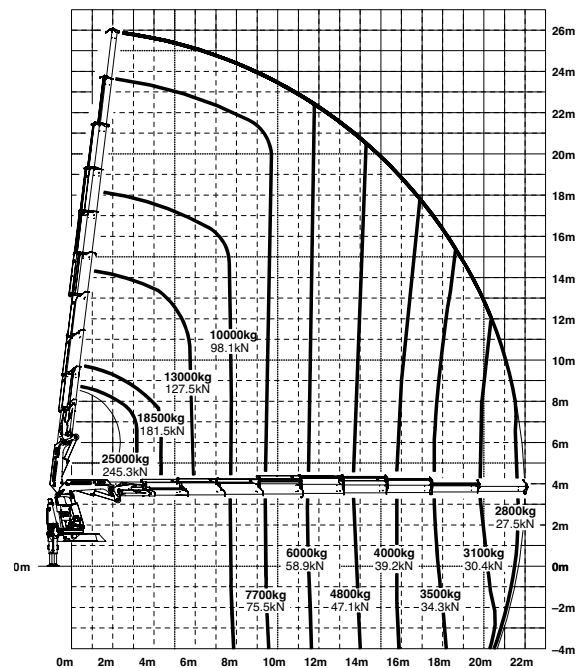
E



F



H



The outreaches stated are with a boom angle of 20° and are therefore not the maximum.

## Lifting capacities

		<b>max.</b>	<b>30000 kg</b>	<b>66140 lbs</b>	<b>B</b>
4.4 m	14' 5"	19900 kg	43870 lbs		
5.6 m	18' 4"	15700 kg	34610 lbs		
7.4 m	24' 3"	12000 kg	26450 lbs		
9.2 m	30' 2"	9700 kg	21380 lbs		

		<b>max.</b>	<b>30000 kg</b>	<b>66140 lbs</b>	<b>C</b>
4.4 m	14' 5"	19640 kg	43300 lbs		
5.6 m	18' 4"	15400 kg	33950 lbs		
7.4 m	24' 3"	11640 kg	25660 lbs		
9.2 m	30' 2"	9320 kg	20550 lbs		
11.1 m	36' 5"	7720 kg	17020 lbs		

		<b>max.</b>	<b>30000 kg</b>	<b>66140 lbs</b>	<b>D</b>
4.4 m	14' 5"	19300 kg	42550 lbs		
5.6 m	18' 4"	15100 kg	33290 lbs		
7.4 m	24' 3"	11300 kg	24910 lbs		
9.2 m	30' 2"	8960 kg	19750 lbs		
11.1 m	36' 5"	7370 kg	16250 lbs		
13.1 m	43' 0"	6230 kg	13730 lbs		

		<b>max.</b>	<b>30000 kg</b>	<b>66140 lbs</b>	<b>E</b>
4.4 m	14' 5"	19000 kg	41890 lbs		
5.6 m	18' 4"	14800 kg	32630 lbs		
7.4 m	24' 3"	10960 kg	24160 lbs		
9.2 m	30' 2"	8630 kg	19030 lbs		
11.1 m	36' 5"	7020 kg	15480 lbs		
13.1 m	43' 0"	5870 kg	12940 lbs		
15.2 m	49' 10"	5050 kg	11130 lbs		

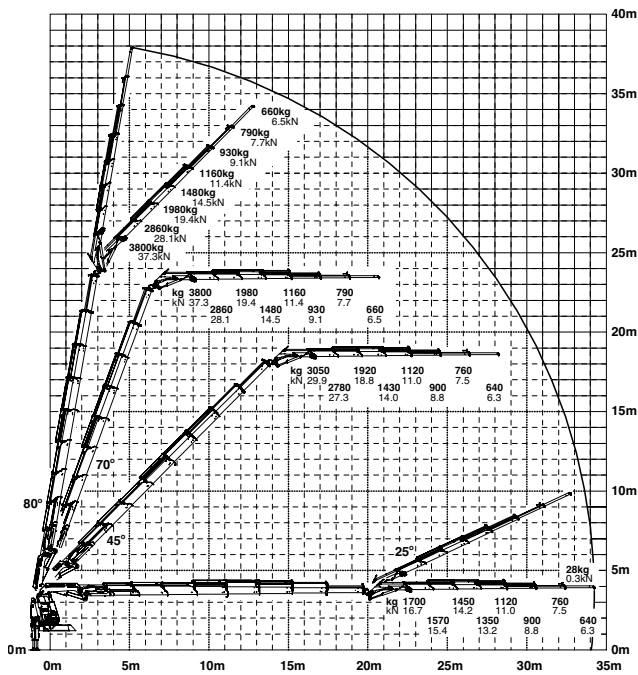
		<b>max.</b>	<b>30000 kg</b>	<b>66140 lbs</b>	<b>F</b>
4.4 m	14' 5"	18800 kg	41450 lbs		
5.6 m	18' 4"	14530 kg	32030 lbs		
7.4 m	24' 3"	10670 kg	23520 lbs		
9.2 m	30' 2"	8300 kg	18300 lbs		
11.1 m	36' 5"	6700 kg	14770 lbs		
13.1 m	43' 0"	5540 kg	12210 lbs		
15.2 m	49' 10"	4700 kg	10360 lbs		
17.3 m	56' 9"	4120 kg	9080 lbs		
19.5 m*	64' 0"	3500 kg	7720 lbs		
21.8 m*	71' 6"	3000 kg	6610 lbs		

		<b>max.</b>	<b>30000 kg</b>	<b>66140 lbs</b>	<b>G</b>
4.4 m	14' 5"	18620 kg	41050 lbs		
5.6 m	18' 4"	14330 kg	31590 lbs		
7.4 m	24' 3"	10430 kg	22990 lbs		
9.2 m	30' 2"	7960 kg	17550 lbs		
11.1 m	36' 5"	6360 kg	14020 lbs		
13.1 m	42' 12"	5220 kg	11510 lbs		
15.2 m	49' 10"	4420 kg	9740 lbs		
17.3 m	56' 9"	3820 kg	8420 lbs		
19.6 m	64' 4"	3350 kg	7390 lbs		
21.7 m*	64' 0"	2880 kg	6350 lbs		
24.8 m*	81' 4"	2480 kg	5470 lbs		

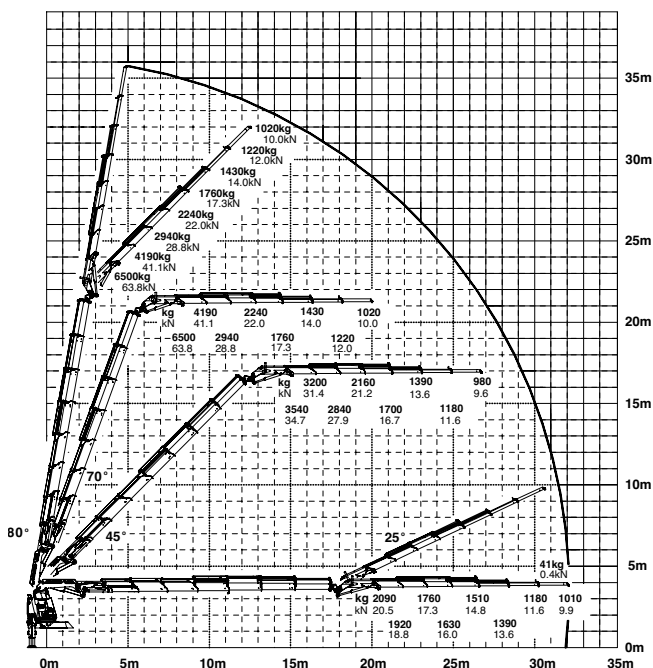
		<b>max.</b>	<b>29200 kg</b>	<b>64370</b>	<b>H</b>
4.4 m	14' 5"	18500 kg	40780 lbs		
5.6 m	18' 4"	14150 kg	31190 lbs		
7.4 m	24' 3"	10200 kg	22490 lbs		
9.2 m	30' 2"	7850 kg	17310 lbs		
11.1 m	36' 5"	6200 kg	13670 lbs		
13.1 m	42' 12"	5030 kg	11090 lbs		
15.2 m	49' 10"	4200 kg	9260 lbs		
17.3 m	56' 9"	3580 kg	7890 lbs		
19.6 m	64' 4"	3100 kg	6830 lbs		
21.9 m	71' 10"	2770 kg	6110 lbs		
24.3 m*	79' 9"	2400 kg	5290 lbs		
26.9 m*	88' 3"	1650 kg	3640 lbs		

\*mechanical extension

### G PJ125E JV1

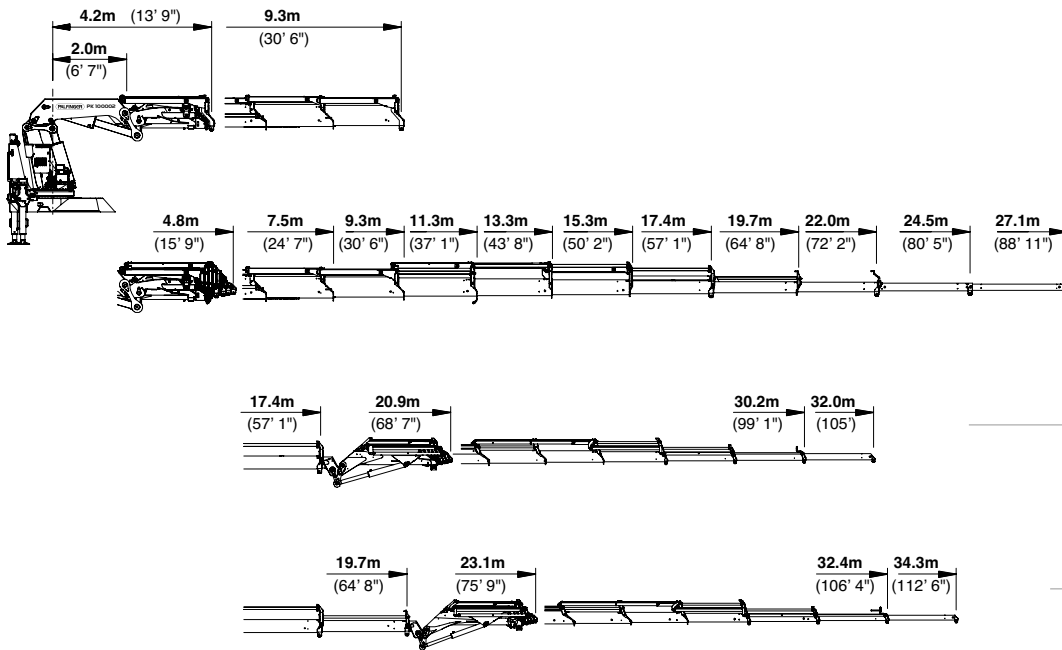


### F PJ170 JV1

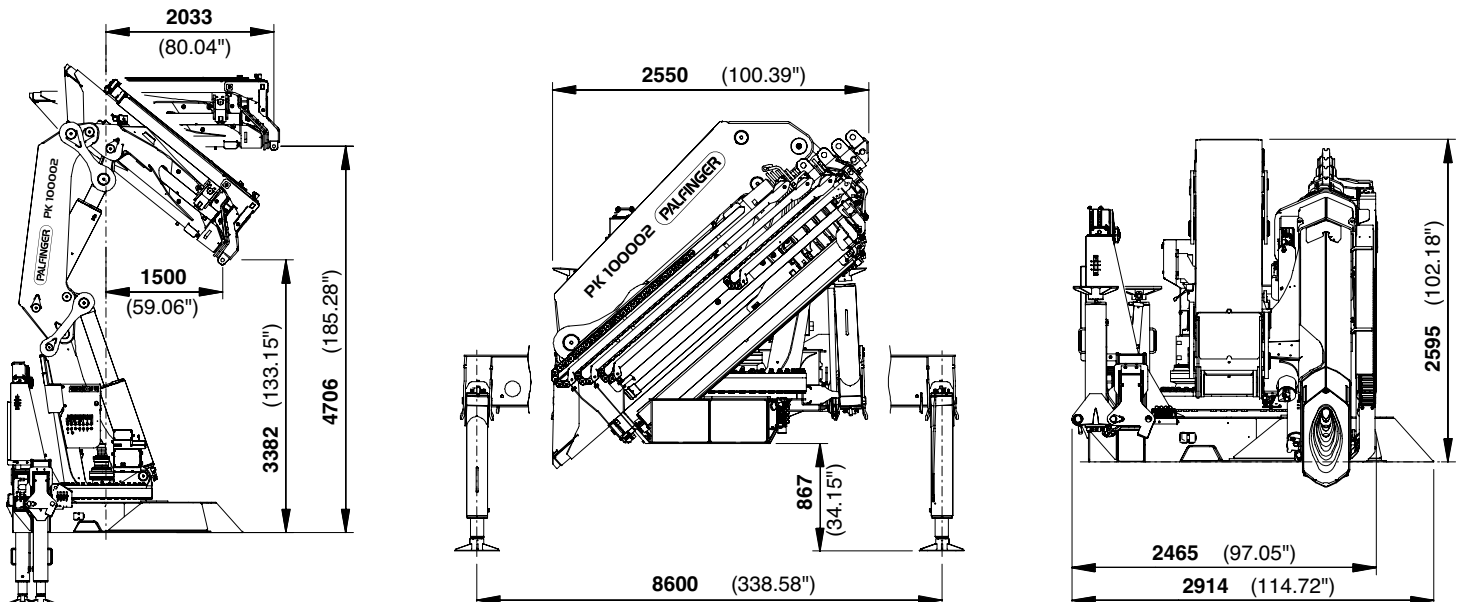


# PERFECT DIMENSIONS

## EXTENSION BOOM VARIATIONS



## DIMENSIONS



## Technical specifications

EN 12999 HC1 HD4/B3

### PK 100002

Max. lifting moment	92.2 mt/904.5 kNm	666870 ft.lbs
Max. lifting capacity	30000 kg/294.3 kN	66140 lbs
Max. hydraulic outreach	22.0 m	72' 2"
Max. manual outreach	27.1 m	88' 11"
Max. outreach (with fly-jib)	32.0 m	104' 12"

Slewing angle	continuously variable	
---------------	-----------------------	--

Slewing torque	9.0 mt/88.3 kNm	65100 ft.lbs
----------------	-----------------	--------------

Stabiliser spread (std.)	8.6 m	28' 3"
--------------------------	-------	--------

Fitting space required (std.)	2.31 m / 2.47 m	7' 7" / 8' 1"
-------------------------------	-----------------	---------------

### F PJ170E JV1

Width folded	2.55 m	8' 4"
--------------	--------	-------

Max. operating pressure	365 bar	5293 psi
-------------------------	---------	----------

Recommended pump capacity	from 90 l/min to 110 l/min	23.8 US gal./min 29.1 US gal./min
---------------------------	-------------------------------	--------------------------------------

### G PJ125E JV1

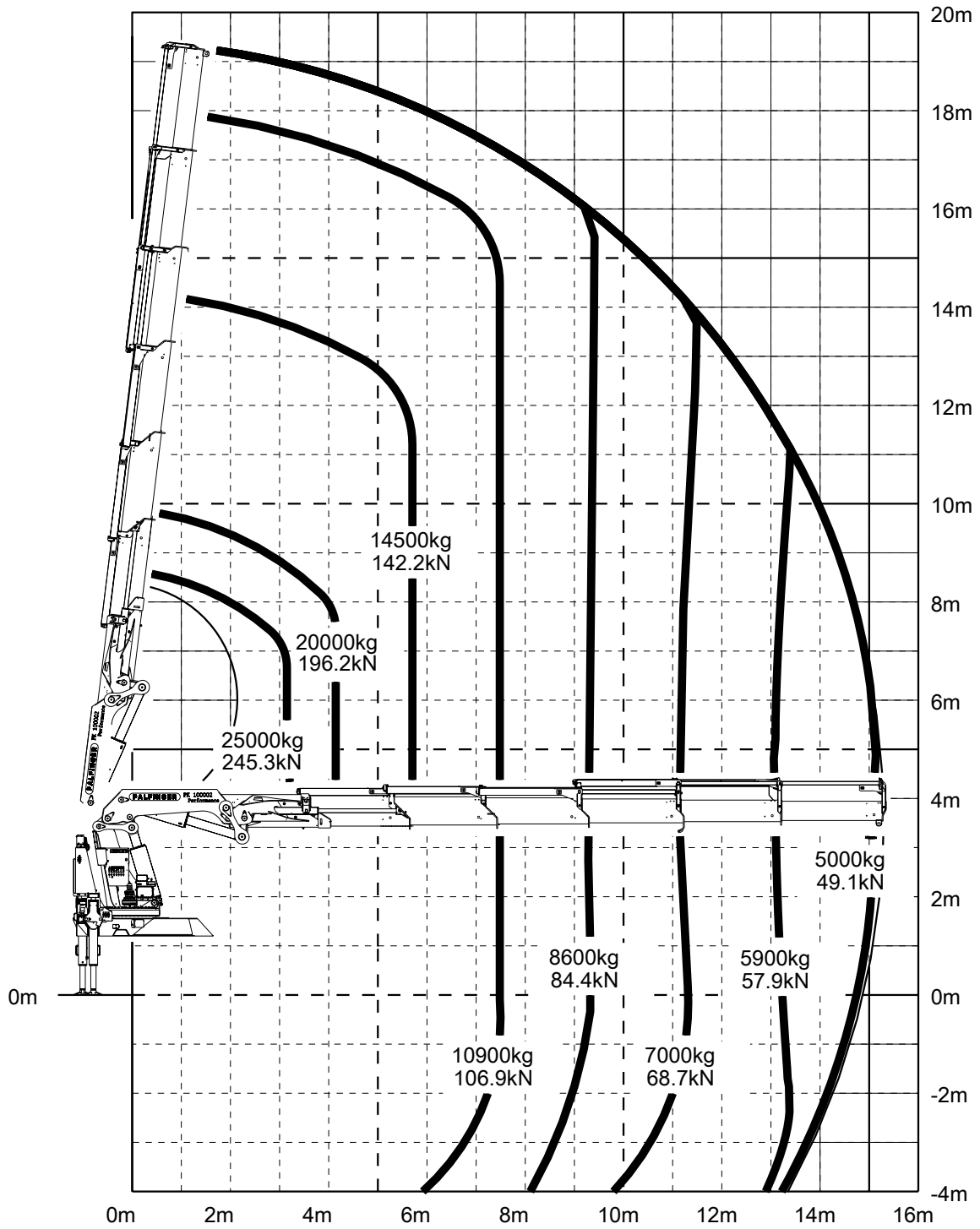
Dead weight (std.)	8800 kg	19400 lbs
--------------------	---------	-----------



KP-PK100002M4+EN

Cranes shown in the leaflet are partially optional equipped and do not always correspond to the standard version. Country-specific regulations must be observed. Dimensions may vary. Subject to technical changes, errors and translation mistakes.

Subject to change, production tolerances have to be taken into account.



When using mechanical boom extensions, the loads shown on the charts need to be reduced by the weight of these extensions.

Symbolic crane figure, indications at 20° main boom position & load arm in horizontal position



For Rope winch load capacity refer to page  
Page 020.20100



**PK 100002**

# WITH HPSC AND POWER LINK PLUS OPERATIONS ARE POSSIBLE EVEN IN RESTRICTED SPACES

**LIFETIME EXCELLENCE**



# LIFETIME EXCELLENCE

PALFINGER loader cranes are convincing due to their superior life-cycle performance. They are the most economical and also the most reliable over the entire product life. From solution finding to resale.

- **Better solutions**
- **Better efficiency**
- **Better ergonomics**
- **Higher availability**
- **More reliability**
- **Better ecology**
- **Higher serviceability**
- **Higher value retention**



# ENORMOUS OUTREACH AND PRECISION

- More lifting power due to E-HPLS
- Additional applications due to Power Link Plus
- More efficient and faster due to continuous slewing system
- Shorter loadcycles due to high speed extension
- Maximum reliability due to PAL 50





# FIRST-RATE IN DESIGN AND PERFORMANCE

## 12 Highlights



### Continuous slewing system

Unrestricted movement

More efficient in operation due to faster loading cycles, since the crane can be slewed over a shorter distance. The crane works more efficiently and faster.



### Power Link Plus

High variety of uses

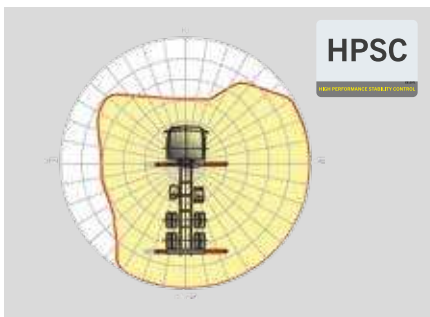
With the 10-degree reverse linkage system, you can reach through low door openings and also work inside buildings. Heavy crane work – even in difficult conditions.



### High Speed Extension

For efficient assignments

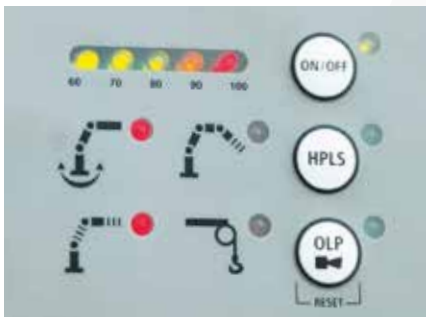
The High Speed Extension speeds up the extension boom system. Crane works faster and more efficiently.



### HPSC

Maximum utilisation of the working range

The variable stabiliser positioning of the High Performance Stability Control System makes it possible to utilise the lifting capacity to the maximum. It enables working within tight spaces.



### PAL 50

Comfort and safety

The PALTRONIC 50, PALFINGER offers the latest control electronics for the series production crane. The custom designed electronic operates and monitors the crane and offers more efficiency in use and safety.



### E-HPLS

Increased lifting capacity

The manually activated E-HPLS increases the capacity of the crane up to 10% while the operating speed is reduced. The crane operates more efficiently.



**Rope winch**

Additional applications

Greatest possible attention was paid to the operator-friendliness and efficiency in use thanks to the high lifting capacity, speed and optimum winding performance.



**Integral base frame**

Perfect integration

A Torsion resistant construction is possible due to an integral base frame. The low overall installation height and the weight savings allow for more efficiency in use.



**Radio remote control**

Dialogue with the operator

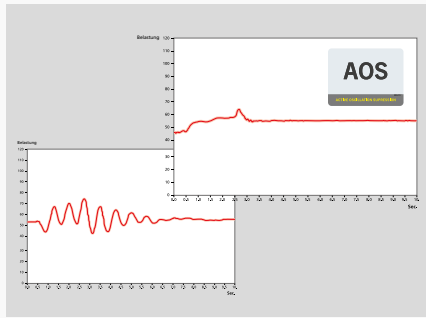
PALFINGER radio remote controls are equipped with linear lever or cross lever and provide the greatest possible comfort for the operator. All EH models with LED-Display inform the crane operator about the different operating conditions.



**Hose equipment for attachments**

Versatile and user-friendly

The hose equipment offers an easy means of connecting auxiliary equipment. The hose equipment is guided in hose trays for protection.



**AOS**

Maximum precision and safety

The active oscillation suppression system prevents „post-oscillation“ in the event of rapid braking or load changes. The stress peaks on the extension boom system are reduced and material fatigue and wear are minimised. This increases the resale value.



**Fly-Jib**

Additional working range

A fly-jib system extends the working range of the crane and increases the possible areas of application. More efficiency in use thanks to the improvement of the movement geometry of the crane.



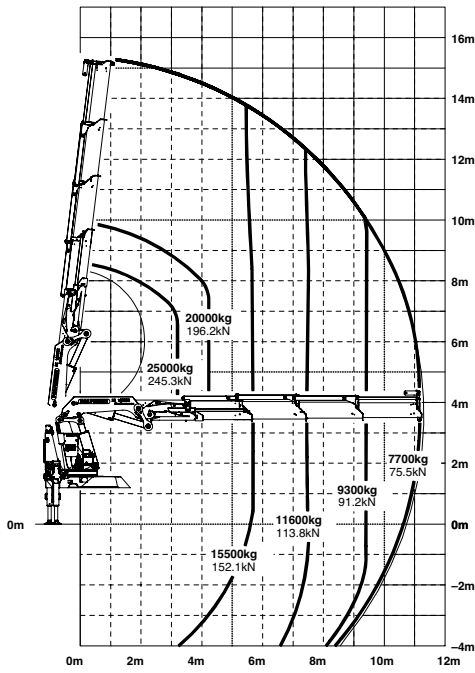
\*Optional features / country-specific equipment

PK 100002

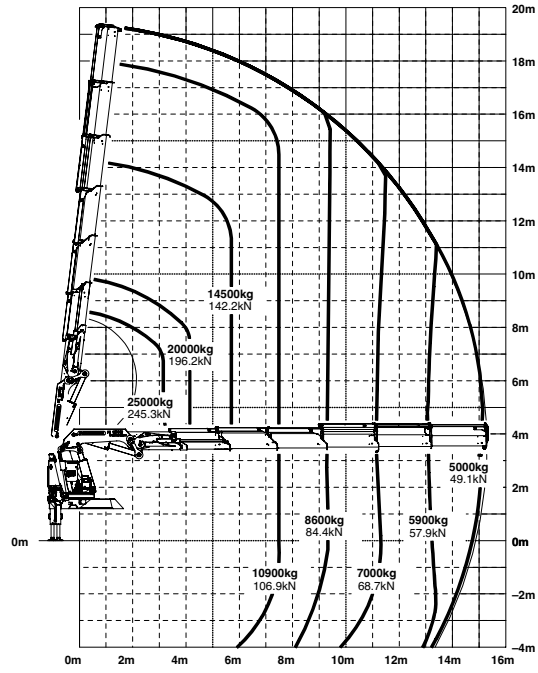
# HIGH PERFORMANCE

Reliable in every situation.

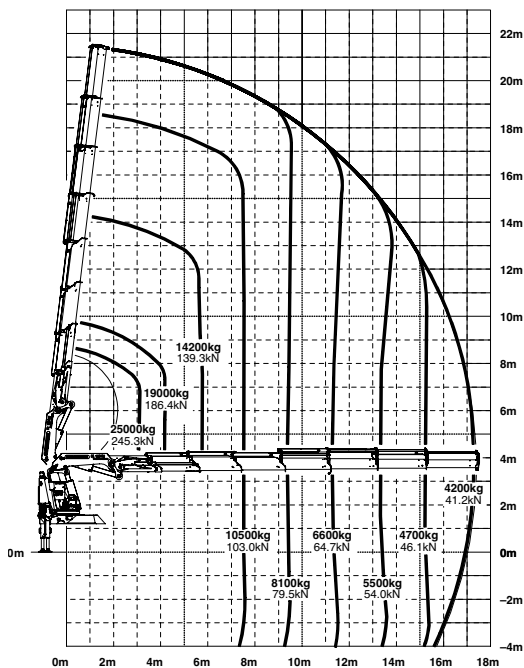
C



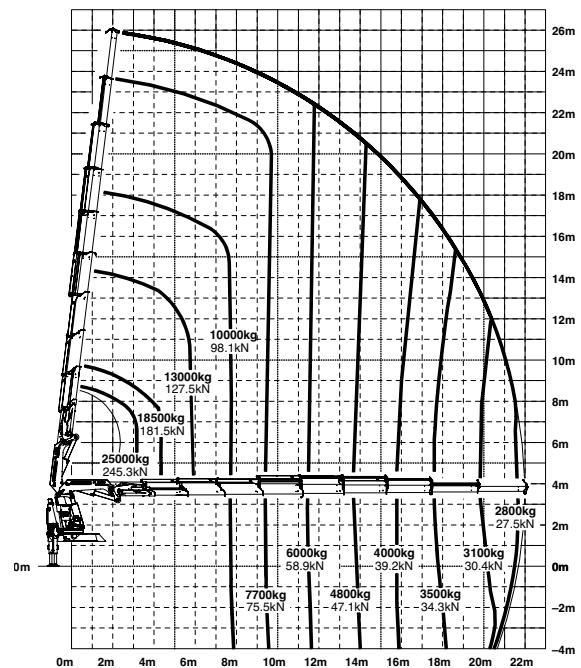
E



F



H



The outreaches stated are with a boom angle of 20° and are therefore not the maximum.

## Lifting capacities

max.		30000 kg	66140 lbs	B
4.4 m	14' 5"	19900 kg	43870 lbs	
5.6 m	18' 4"	15700 kg	34610 lbs	
7.4 m	24' 3"	12000 kg	26450 lbs	
9.2 m	30' 2"	9700 kg	21380 lbs	

max.		30000 kg	66140 lbs	C
4.4 m	14' 5"	19640 kg	43300 lbs	
5.6 m	18' 4"	15400 kg	33950 lbs	
7.4 m	24' 3"	11640 kg	25660 lbs	
9.2 m	30' 2"	9320 kg	20550 lbs	
11.1 m	36' 5"	7720 kg	17020 lbs	

max.		30000 kg	66140 lbs	D
4.4 m	14' 5"	19300 kg	42550 lbs	
5.6 m	18' 4"	15100 kg	33290 lbs	
7.4 m	24' 3"	11300 kg	24910 lbs	
9.2 m	30' 2"	8960 kg	19750 lbs	
11.1 m	36' 5"	7370 kg	16250 lbs	
13.1 m	43' 0"	6230 kg	13730 lbs	

max.		30000 kg	66140 lbs	E
4.4 m	14' 5"	19000 kg	41890 lbs	
5.6 m	18' 4"	14800 kg	32630 lbs	
7.4 m	24' 3"	10960 kg	24160 lbs	
9.2 m	30' 2"	8630 kg	19030 lbs	
11.1 m	36' 5"	7020 kg	15480 lbs	
13.1 m	43' 0"	5870 kg	12940 lbs	
15.2 m	49' 10"	5050 kg	11130 lbs	

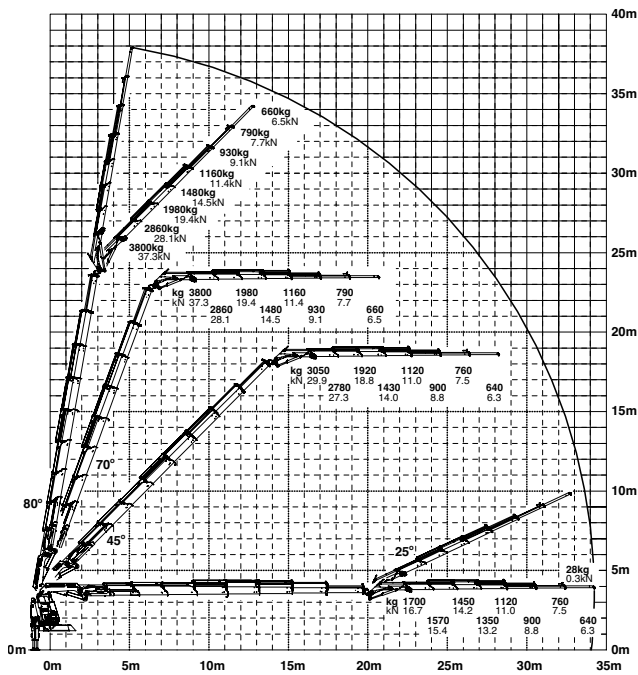
max.		30000 kg	66140 lbs	F
4.4 m	14' 5"	18800 kg	41450 lbs	
5.6 m	18' 4"	14530 kg	32030 lbs	
7.4 m	24' 3"	10670 kg	23520 lbs	
9.2 m	30' 2"	8300 kg	18300 lbs	
11.1 m	36' 5"	6700 kg	14770 lbs	
13.1 m	43' 0"	5540 kg	12210 lbs	
15.2 m	49' 10"	4700 kg	10360 lbs	
17.3 m	56' 9"	4120 kg	9080 lbs	
19.5 m*	64' 0"	3500 kg	7720 lbs	
21.8 m*	71' 6"	3000 kg	6610 lbs	

max.		30000 kg	66140 lbs	G
4.4 m	14' 5"	18620 kg	41050 lbs	
5.6 m	18' 4"	14330 kg	31590 lbs	
7.4 m	24' 3"	10430 kg	22990 lbs	
9.2 m	30' 2"	7960 kg	17550 lbs	
11.1 m	36' 5"	6360 kg	14020 lbs	
13.1 m	42' 12"	5220 kg	11510 lbs	
15.2 m	49' 10"	4420 kg	9740 lbs	
17.3 m	56' 9"	3820 kg	8420 lbs	
19.6 m	64' 4"	3350 kg	7390 lbs	
21.7 m*	64' 0"	2880 kg	6350 lbs	
24.8 m*	81' 4"	2480 kg	5470 lbs	

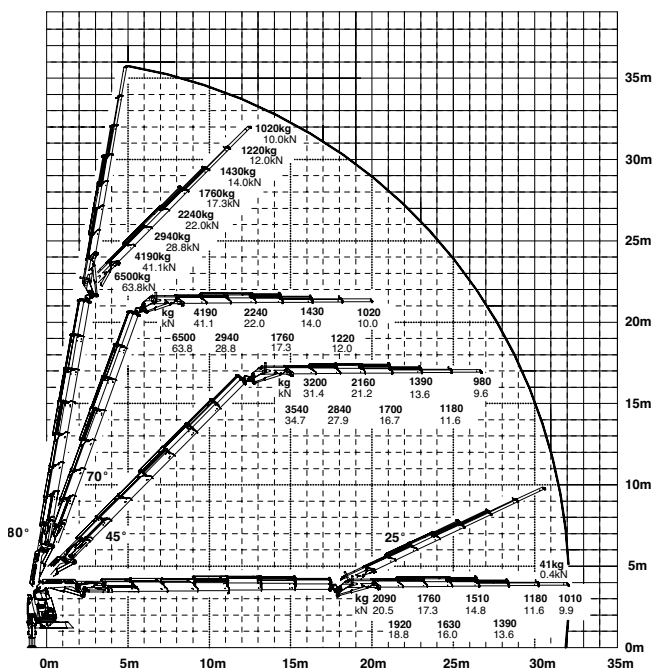
max.		29200 kg	64370	H
4.4 m	14' 5"	18500 kg	40780 lbs	
5.6 m	18' 4"	14150 kg	31190 lbs	
7.4 m	24' 3"	10200 kg	22490 lbs	
9.2 m	30' 2"	7850 kg	17310 lbs	
11.1 m	36' 5"	6200 kg	13670 lbs	
13.1 m	42' 12"	5030 kg	11090 lbs	
15.2 m	49' 10"	4200 kg	9260 lbs	
17.3 m	56' 9"	3580 kg	7890 lbs	
19.6 m	64' 4"	3100 kg	6830 lbs	
21.9 m	71' 10"	2770 kg	6110 lbs	
24.3 m*	79' 9"	2400 kg	5290 lbs	
26.9 m*	88' 3"	1650 kg	3640 lbs	

\*mechanical extension

### G PJ125E JV1

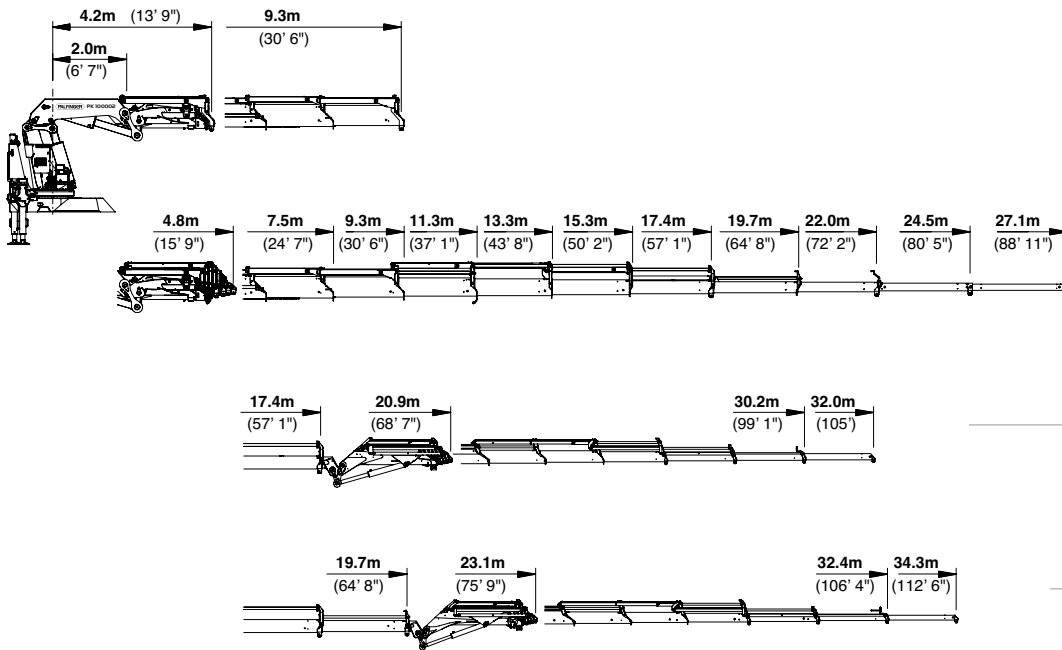


### F PJ170 JV1

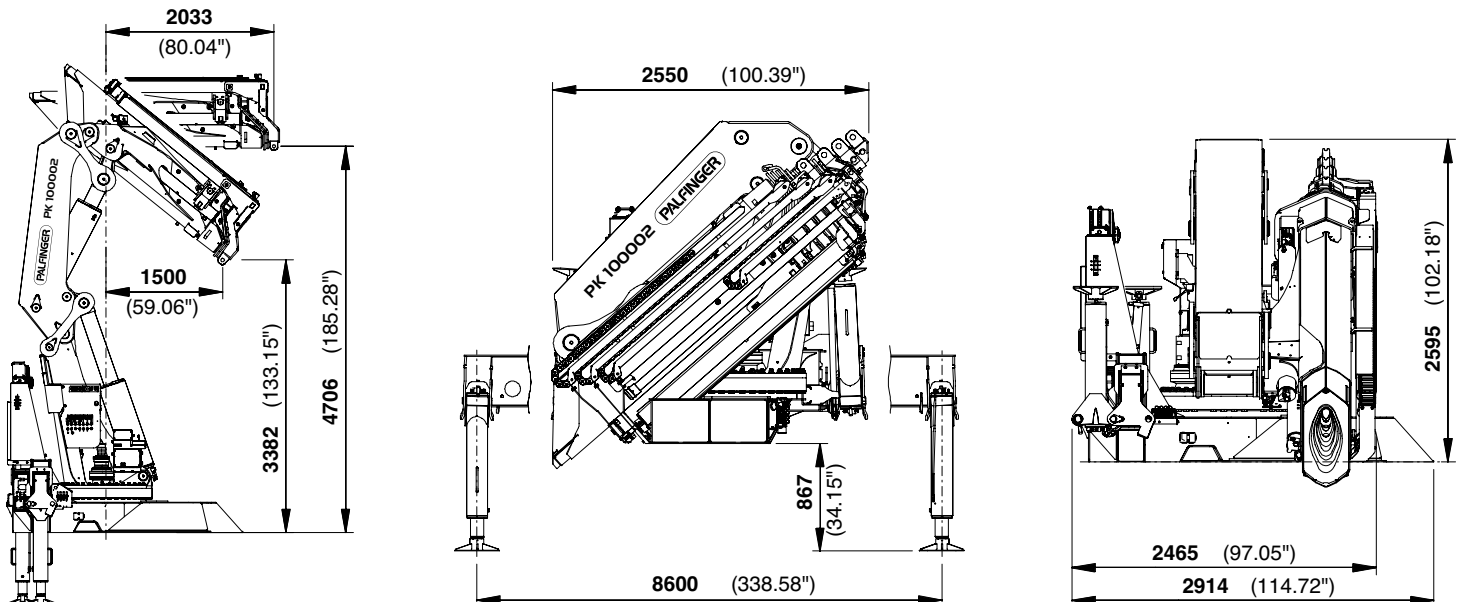


# PERFECT DIMENSIONS

## EXTENSION BOOM VARIATIONS



## DIMENSIONS



## Technical specifications

EN 12999 HC1 HD4/B3

### PK 100002

Max. lifting moment	92.2 mt/904.5 kNm	666870 ft.lbs
Max. lifting capacity	30000 kg/294.3 kN	66140 lbs
Max. hydraulic outreach	22.0 m	72' 2"
Max. manual outreach	27.1 m	88' 11"
Max. outreach (with fly-jib)	32.0 m	104' 12"

Slewing angle	continuously variable	
---------------	-----------------------	--

Slewing torque	9.0 mt/88.3 kNm	65100 ft.lbs
----------------	-----------------	--------------

Stabiliser spread (std.)	8.6 m	28' 3"
--------------------------	-------	--------

Fitting space required (std.)	2.31 m / 2.47 m	7' 7" / 8' 1"
-------------------------------	-----------------	---------------

### F PJ170E JV1

Width folded	2.55 m	8' 4"
--------------	--------	-------

Max. operating pressure	365 bar	5293 psi
-------------------------	---------	----------

Recommended pump capacity	from 90 l/min to 110 l/min	23.8 US gal./min 29.1 US gal./min
---------------------------	-------------------------------	--------------------------------------

### G PJ125E JV1

Dead weight (std.)	8800 kg	19400 lbs
--------------------	---------	-----------



KP-PK100002M4+EN

Cranes shown in the leaflet are partially optional equipped and do not always correspond to the standard version. Country-specific regulations must be observed. Dimensions may vary. Subject to technical changes, errors and translation mistakes.

**PK 100002**

# AVEC LE DISPOSITIF HPSC ET POWER LINK PLUS, DES INTERVENTIONS SONT ÉGALEMENT POSSIBLES DANS DES ESPACES EXIGUS

**LIFETIME EXCELLENCE**



# LIFETIME EXCELLENCE

Les grues de manutention PALFINGER se distinguent de par leur cycle de vie plus long. Elles sont les plus rentables et les plus fiables sur la durée de vie totale du produit, de la recherche de solutions jusqu'à la revente.

- **Des solutions mieux adaptées**
- **Une plus grande efficacité**
- **Une meilleure ergonomie**
- **Un entretien simplifié**
- **Une plus grande fiabilité**
- **Un meilleur respect de l'environnement**
- **Une plus grande maniabilité**
- **Une meilleure valeur de revente**



# PORTÉE EXTRÊME ET GRANDE PRÉCISION

- Une plus grande force de levage grâce au E-HPLS
- De nouvelles applications sont possibles grâce au Power Link Plus
- Le système de rotation continue confère plus d'efficacité et de rapidité
- Des cycles de chargement plus courts grâce au système High Speed Extension (recyclage d'huile)
- Une fiabilité optimale grâce au PAL 150





# PREMIER CHOIX EN TERMES DE CONCEPTION ET DE PERFORMANCES

## 12 Highlights



### Systeme de rotation continue

Un rayon d'action illimité

Le déchargement est plus rapide grâce à la possibilité de rotation continue. Le travail de la grue est ainsi plus rapide et plus économique.



### Power Link Plus

Polyvalence d'utilisation

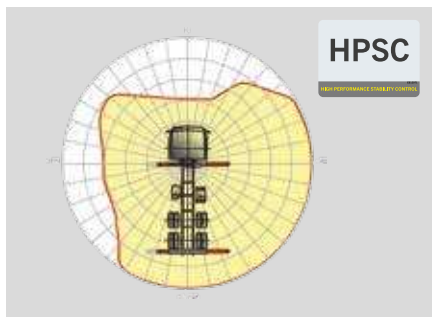
Le deuxième bras peut se relever de jusqu'à 15° au dessus du prolongement du premier bras permettant ainsi d'intervenir dans des espaces limités (ex : ouvertures de portes ou de fenêtre). Il permet de réaliser des travaux de levage exigeants, même dans les conditions les plus difficiles.



### Extension à haute vitesse

Pour des interventions efficaces

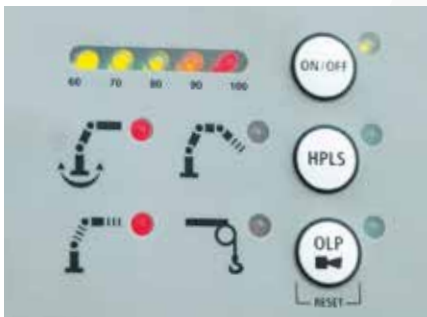
L'extension à haute vitesse montée en série augmente la vitesse de déploiement du système de bras. Le fonctionnement de la grue est de ce fait nettement plus rapide et plus rentable.



### HPSC

Optimisation de la zone de travail

La flexibilité de positionnement des stabilisateurs offerte par l'HPSC (High Performance Stability Control System) permet une exploitation maximale de la force de levage. Le système permet aussi de travailler dans des espaces exigus.



### PAL 50

Confort et sécurité

La Paltronic 50 que PALFINGER propose est une électronique de commande pour les grues de série. Ce système électronique sur mesure pilote et surveille la grue et assure une facilité d'emploi et une sécurité accrues en service.



### E-HPLS

Plus grande force de levage

Pouvant être enclenché manuellement, l'E-HPLS augmente la capacité de la grue de 10 % en cas de vitesse de travail réduite. Le fonctionnement de la grue est ainsi nettement plus rentable.



### Treuil

Utilisations étendues

Grande attention accordée à la facilité d'emploi et à la rentabilité à travers une puissance de levage et une vitesse élevées et un comportement d'enroulement/déroulement optimal.



### Châssis intégral

Intégration parfaite

La structure présente une très haute résistance à la torsion grâce au châssis intégral. La hauteur totale moindre de la structure et la réduction du poids se traduisent par une rentabilité supérieure en service.



### Radiocommande

En dialogue avec l'utilisateur

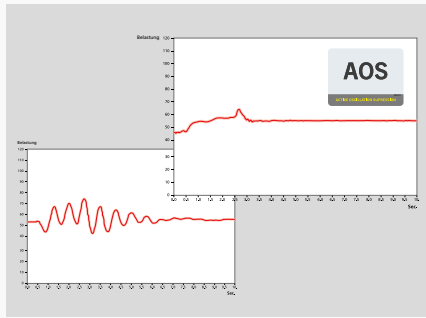
Les radiocommandes de PALFINGER sont équipées au choix de leviers linéaires ou en croix. Sur tous les modèles EH, un affichage à LED informe le conducteur de la grue sur les différents états de fonctionnement.



### Système de tuyaux pour engins additionnels

Polyvalent et d'une utilisation facile

Le système de tuyaux permet de raccorder très simplement des engins additionnels. La pose du système de tuyaux s'opère dans les bacs à tuyaux qui les protègent.



### AOS

Pour un maximum de précision et de sécurité

Le Système actif d'Amortissement des Oscillations compense les oscillations générées par des freinages brusques ou de fortes alternances de charge. Il permet de réduire les pics de tension sur le système de rotation réduisant ainsi l'usure des composants et préservant la valeur de revente du matériel.



### Fly-Jib

Zones de travail supplémentaires

Un système de bras coudé supplémentaire (Fly-Jib) étend la zone de travail de la grue et augmente ainsi les domaines d'applications possibles. L'amélioration de la géométrie cinétique accroît la rentabilité en service.

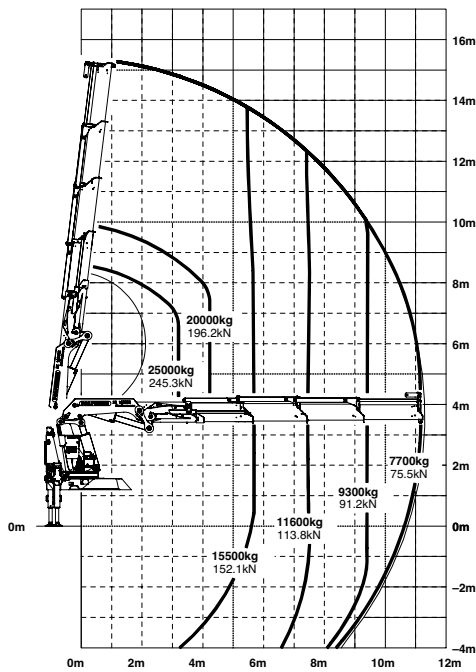


PK 100002

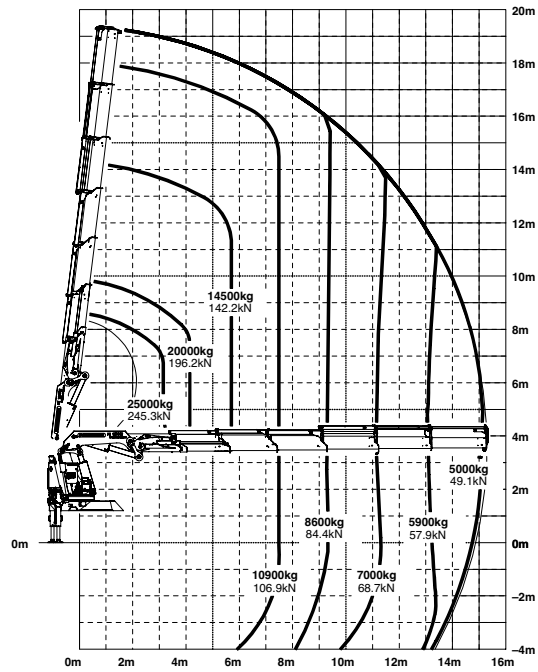
# HIGH PERFORMANCE

Fiabilité en toutes circonstances.

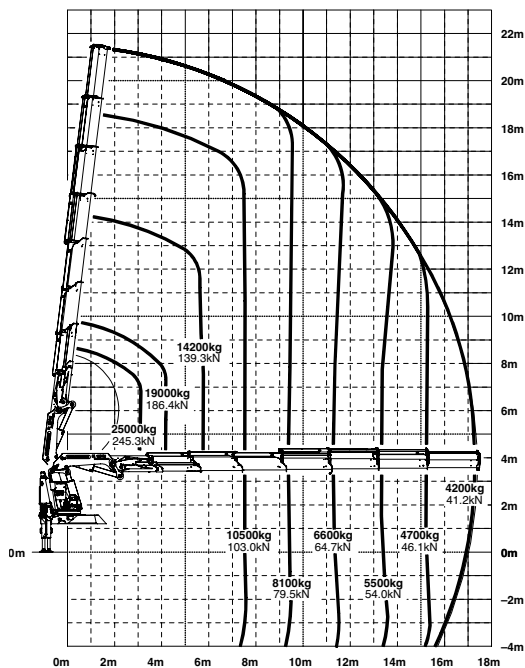
C



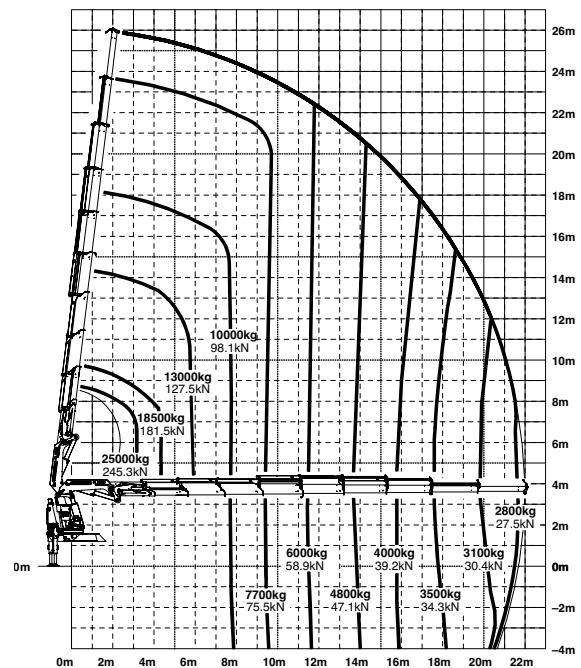
E



F



H



Les portées indiquées sont basées sur le bras principal formant un angle de 20° par rapport à l'horizontale et ne sont pas des maximums.

## Forces de levage

**max. 30000 kg /294,3 kN** **B**

4,4 m	19900 kg /195,2 kN
5,6 m	15700 kg /154,0 kN
7,4 m	12000 kg /117,7 kN
9,2 m	9700 kg /95,2 kN

**max. 30000 kg /294,3 kN** **C**

4,4 m	19640 kg /192,7 kN
5,6 m	15400 kg /151,1 kN
7,4 m	11640 kg /114,2 kN
9,2 m	9320 kg /91,4 kN
11,1 m	7720 kg /75,7 kN

**max. 30000 kg /294,3 kN** **D**

4,4 m	19300 kg /189,3 kN
5,6 m	15100 kg /148,1 kN
7,4 m	11300 kg /110,9 kN
9,2 m	8960 kg /87,9 kN
11,1 m	7370 kg /72,3 kN
13,1 m	6230 kg /61,1 kN

**max. 30000 kg /294,3 kN** **E**

4,4 m	19000 kg /186,4 kN
5,6 m	14800 kg /145,2 kN
7,4 m	10960 kg /107,5 kN
9,2 m	8630 kg /84,7 kN
11,1 m	7020 kg /68,9 kN
13,1 m	5870 kg /57,6 kN
15,2 m	5050 kg /49,5 kN

**max. 30000 kg /294,3 kN** **F**

4,4 m	18800 kg /184,4 kN
5,6 m	14530 kg /142,5 kN
7,4 m	10670 kg /104,7 kN
9,2 m	8300 kg /81,4 kN
11,1 m	6700 kg /65,7 kN
13,1 m	5540 kg /54,3 kN
15,2 m	4700 kg /46,1 kN
17,3 m	4120 kg /40,4 kN
19,5 m*	3500 kg /34,3 kN
21,8 m*	3000 kg /29,4 kN

**max. 30000 kg /294,3 kN** **G**

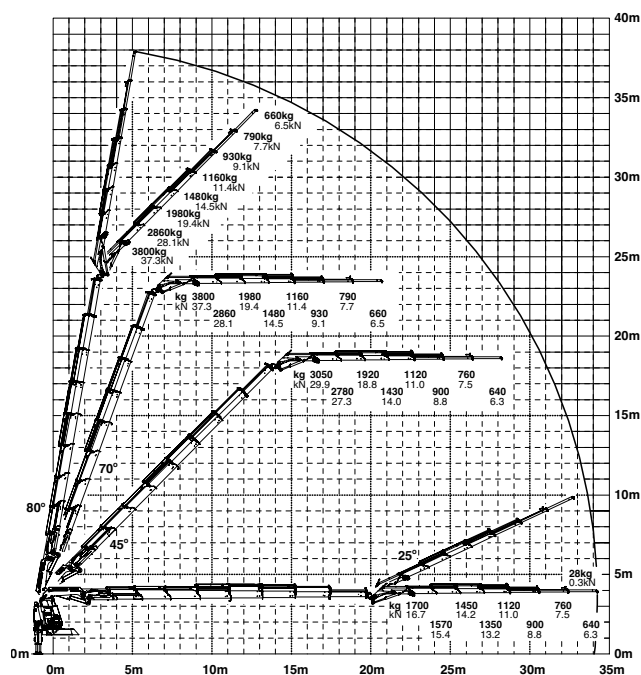
4,4 m	18620 kg /182,7 kN
5,6 m	14330 kg /140,6 kN
7,4 m	10430 kg /102,3 kN
9,2 m	7960 kg /78,1 kN
11,1 m	6360 kg /62,4 kN
13,1 m	5220 kg /51,2 kN
15,2 m	4420 kg /43,4 kN
17,3 m	3820 kg /37,5 kN
19,6 m	3350 kg /32,9 kN
21,7 m*	2880 kg /28,3 kN
24,8 m*	2480 kg /24,3 kN

**max. 29200 kg /286,5 kN** **H**

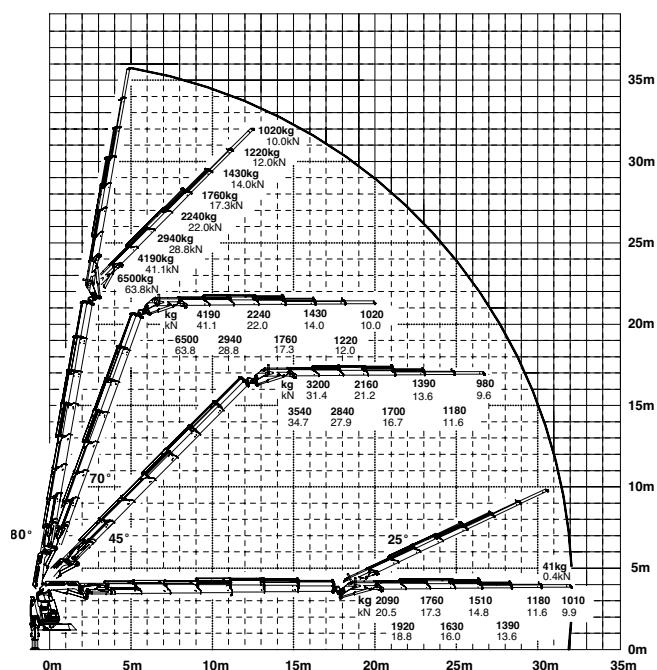
4,4 m	18500 kg /181,5 kN
5,6 m	14150 kg /138,8 kN
7,4 m	10200 kg /100,1 kN
9,2 m	7850 kg /77,0 kN
11,1 m	6200 kg /60,8 kN
13,1 m	5030 kg /49,3 kN
15,2 m	4200 kg /41,2 kN
17,3 m	3580 kg /35,1 kN
19,6 m	3100 kg /30,4 kN
21,9 m	2770 kg /27,2 kN
24,3 m*	2400 kg /23,5 kN
26,9 m*	1650 kg /16,2 kN

\* Extension mécanique

### G PJ125E JV1

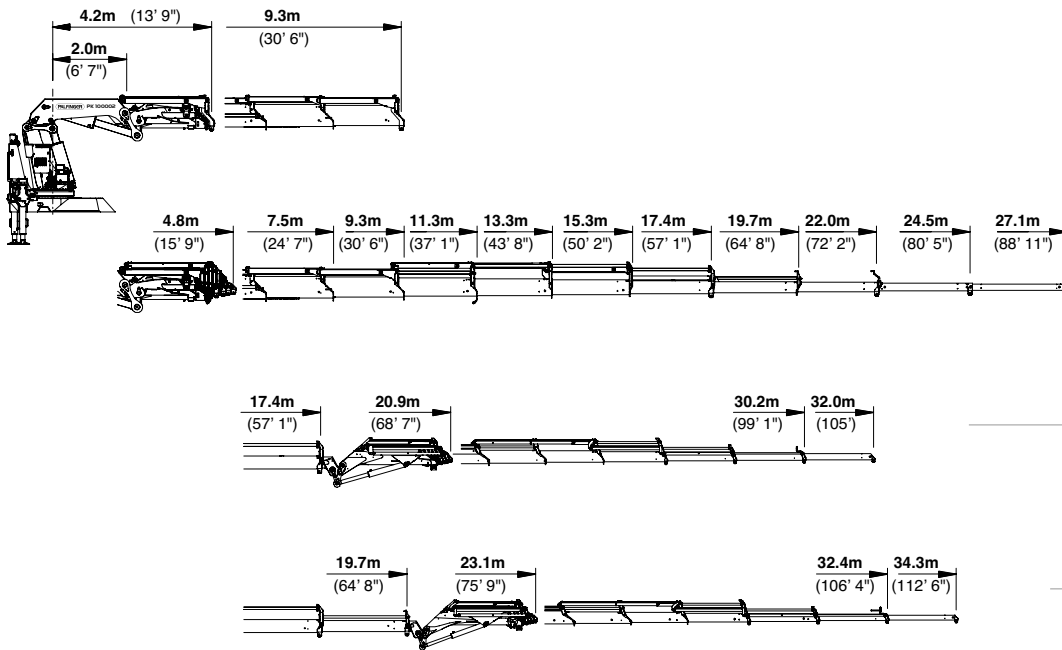


### F PJ170 JV1

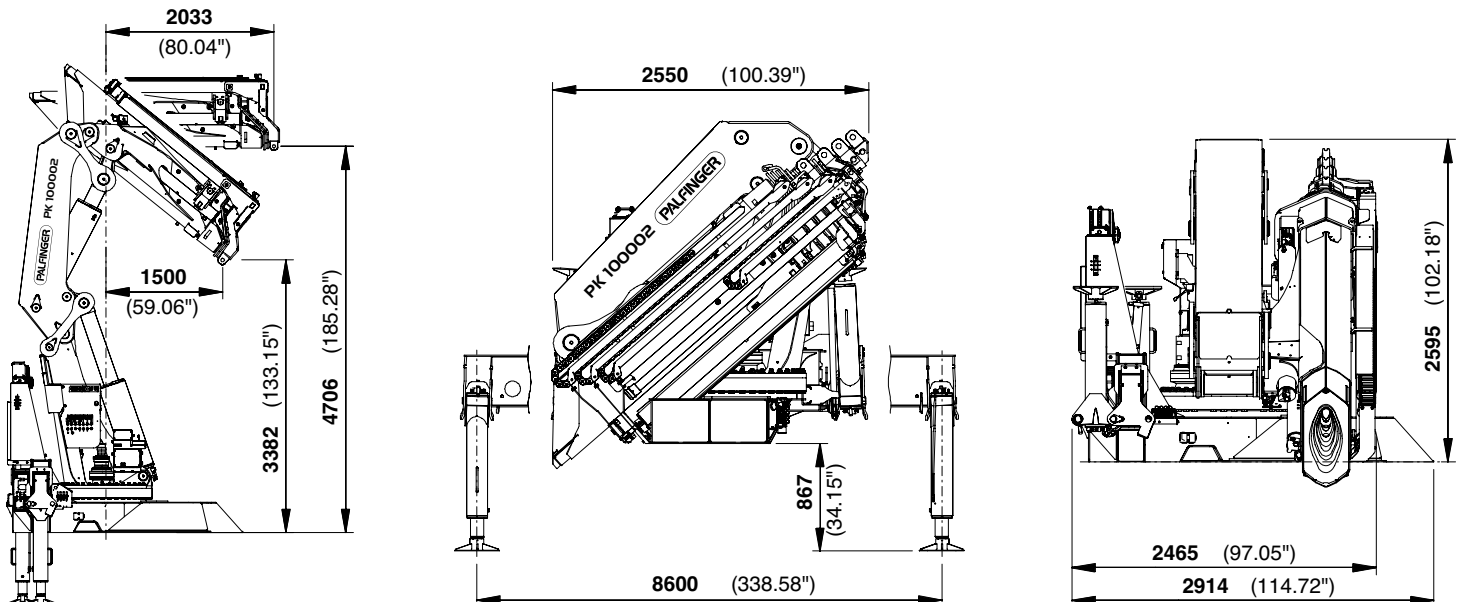


# DIMENSIONS PARFAITES

## NOMBREUSES EXTENSIONS



## DIMENSIONS



## Caractéristiques techniques

### EN 12999 HC1 HD4/B3

#### PK 100002

Couple de levage maximum	92,2 mt/904,5 kNm
Capacité de levage maximale	30000 kg/294,3 kN
Portée hydraulique maximale	22,0 m
Portée manuelle maximale	27,1 m
Portée maximale (avec fly-jib)	34,3 m

Angle de rotation	interminable
-------------------	--------------

Couple de rotation	9,0 mt/88,3 kNm
--------------------	-----------------

Ecartement des stabilisateurs	8,6 m
-------------------------------	-------

Espace nécessaire au montage	2,55 m
------------------------------	--------

#### F PJ170E JV1

Largeur de la grue repliée	2,55 m
----------------------------	--------

Pression d'utilisation maximum	365 bar
--------------------------------	---------

Débit de pompe recommand	de 90 l/min à 110 l/min
--------------------------	-------------------------

Poids de la grue (std.)	8800 kg
-------------------------	---------

#### G PJ125E JV1



KP-PK100002M4+FR

Certaines grues en photos dans ce document sont dotées d'équipements optionnels et ne correspondent pas au modèle standard. Des réglementations nationales spécifiques relatives à la configuration des grues sont à observer. Les dimensions ne revêtent pas un caractère contraignant. Sous réserve de modifications techniques, d'omissions et d'erreurs de traduction.