

MAN

P 480

4X4

NUEVO

DISPONIBLE




ESPECIFICACIONES DEL PRODUCTO

EQUIPAMIENTO

- Área de trabajo más grande gracias al X-jib 240°
- La rotación de 2 x 220° de la cesta de trabajo asegura su perfecto posicionamiento
- Brazo superior telescópico que alcanza los 19 m de longitud
- El sistema automático de lubricación de telescopios lubrica con grasa los telescopios de brazo inferior durante el funcionamiento de la plataforma
- Cesta telescópica con una capacidad de carga de la cesta de 600 kg y preinstalación integrada para el sistema Powerlift
- La cesta colgante permite acercarse al máximo a los objetos
- Control adicional en la corona de giro con pantalla, asiento, pedal de accionamiento y plataforma

INFORMACIÓN DEL PRODUCTO

Información del lugar

Modena, 41122 - Italia 

Vendedor

Palfinger srl

Disponibile

Disponibile

Tipo de Producto

Nuevo

Email

sales-it@palfinger.com

v.dalcamo@palfinger.com

Teléfonos de Contacto

0039059252426

- Intercomunicador alternado entre la cabina y la cesta de trabajo
- 2 LED de iluminación por proyección de 230 VCA/150 W, 10 100 lm
- 4 faros en el bastidor de base con interruptor en el control de los soportes/en la cabina del camión para iluminar la superficie de apoyo
- Luz de destellos montada a ambos lados de la corona de giro

PRODUCTO

Fabricante	Palfinger	Rotación columna	540°
Modelo	P 480	Dimensión cesta	3,81 x 1,05 x 1,10 m
Año	2025	Capacidad de carga	600 kg
Alcance lateral	31 m	Rotación cesta	2 x 200°
Altura de Trabajo	48 m	Rotación de la Torreta	200°
		Material Cesta	Aluminum

CAMIÓN

Fabricante	MAN	Power	213 kW / 290 PS
Drivers cabine	C	Emisiones	EURO 6
DEE (mm)	4800 mm	Axes	4x4
		Masa Máxima Autorizada	18.000 kg

Working diagrams

Palfinger P 480 *Jumbo - NX*

on

MAN TGM 18.XXX / DAF CF 300 FA 4x2

The working diagrams shown below have the following preconditions:

Solid line:

Standard working diagram

Working height = height of basket bottom + 2.0 m

The basket is in basic position (not turned) and retracted

Dashed line:

Maximum working diagram

Working height = height of basket bottom + 2.0 m

Workman basket turned into optimum position and extended

The following applies generally:

All specifications refer to standard aluminum basket

Special baskets have different ranges

Maximum inclination 0,5°

Set-up inclination is max. 2° with automatic range adjustment.

Deviations up to 2% possible due to component.

All dimensions are approximates.

Additional options might cause the outreach to be shorter.

The outreaches are approximate dimensions and depend on the chassis, the type of support and the lifting platform's additional equipment.

Illustrations of truck and unit are only of symbolic nature and do not allow any conclusions regarding technical design.

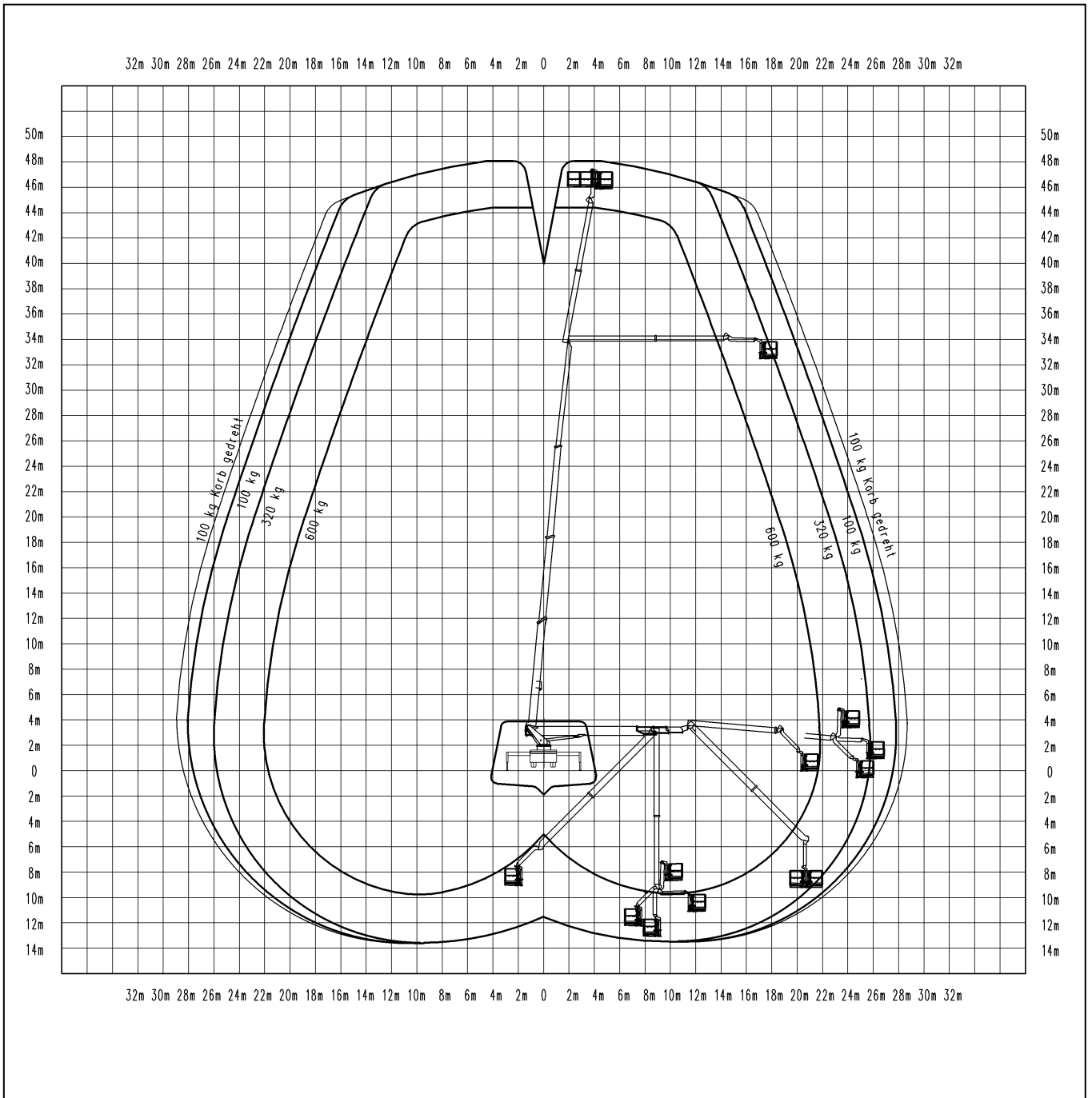
Subject to technical change!

Palfinger P 480

Rear view

Extension of stabiliser
outrigger

Front left	100%
Front right	100%
Rear left	100%
Rear right	100%

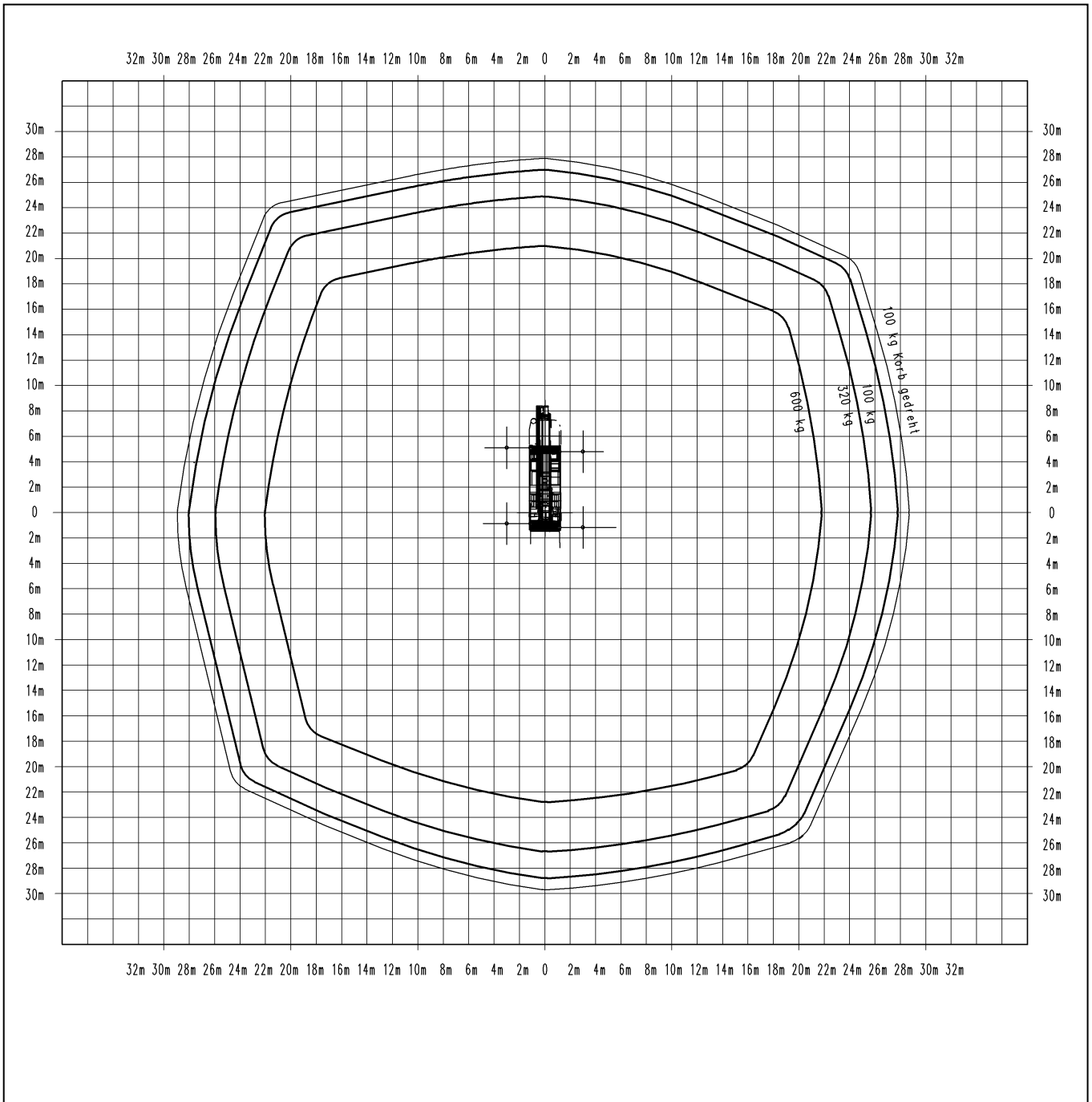


Palfinger P 480

Top view

Extension of stabiliser
outrigger

Front left	100%
Front right	100%
Rear left	100%
Rear right	100%

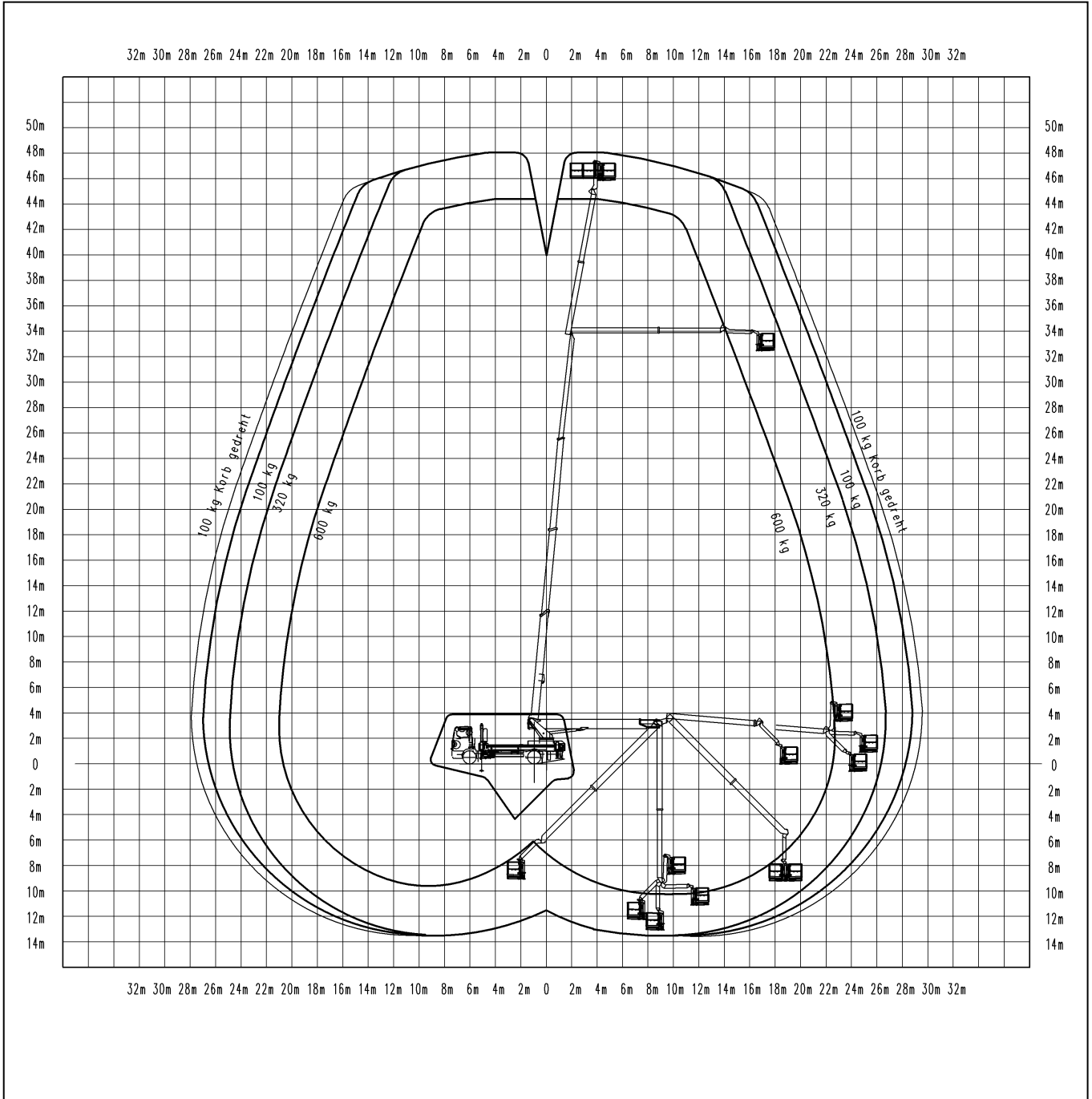


Palfinger P 480

Left view

Extension of stabiliser
outrigger

Front left	100%
Front right	100%
Rear left	100%
Rear right	100%

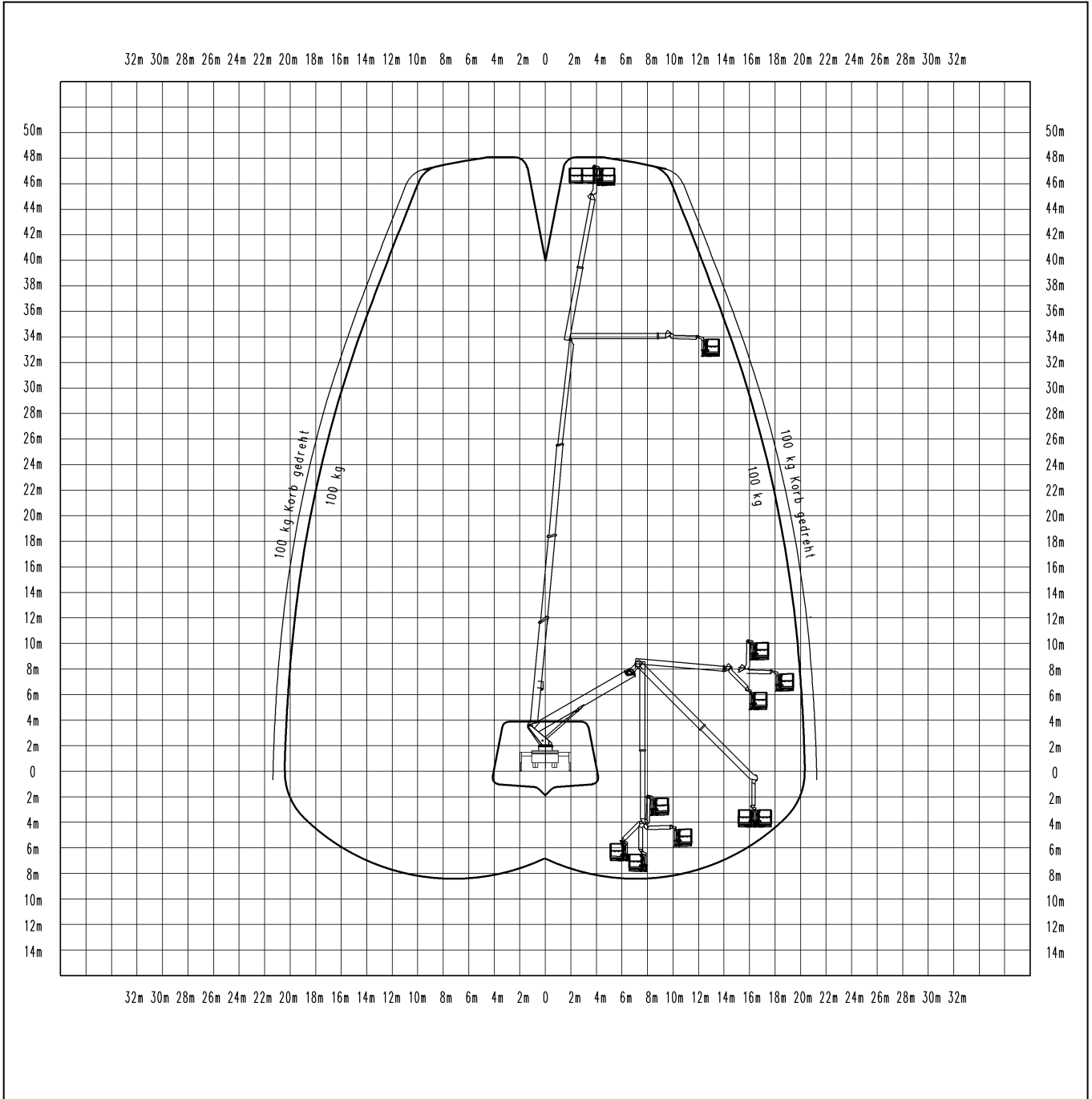


Palfinger P 480

Rear view

Extension of stabiliser
outrigger

Front left	50%
Front right	50%
Rear left	50%
Rear right	50%

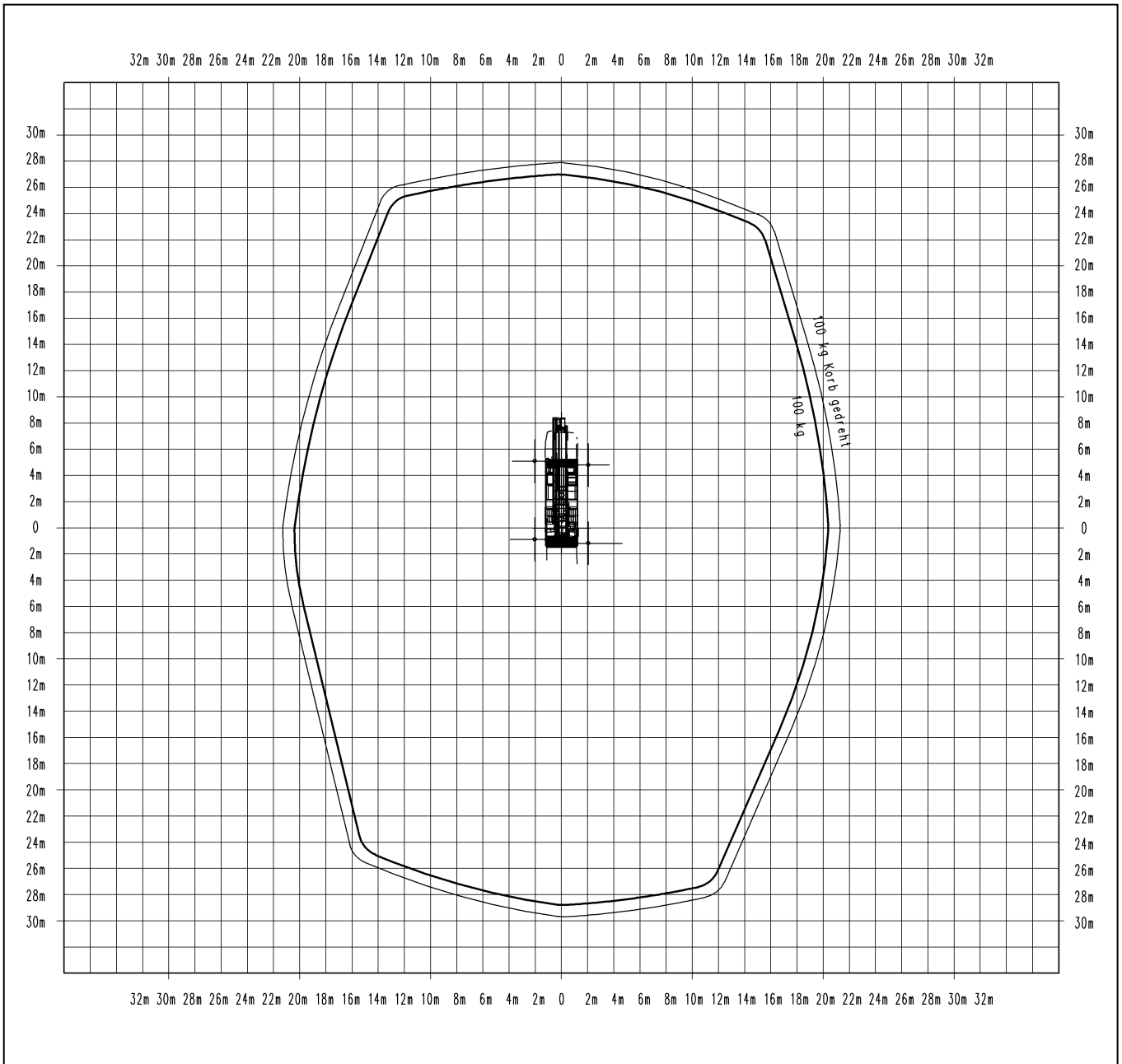


Palfinger P 480

Top view

Extension of stabiliser
outrigger

Front left	50%
Front right	50%
Rear left	50%
Rear right	50%

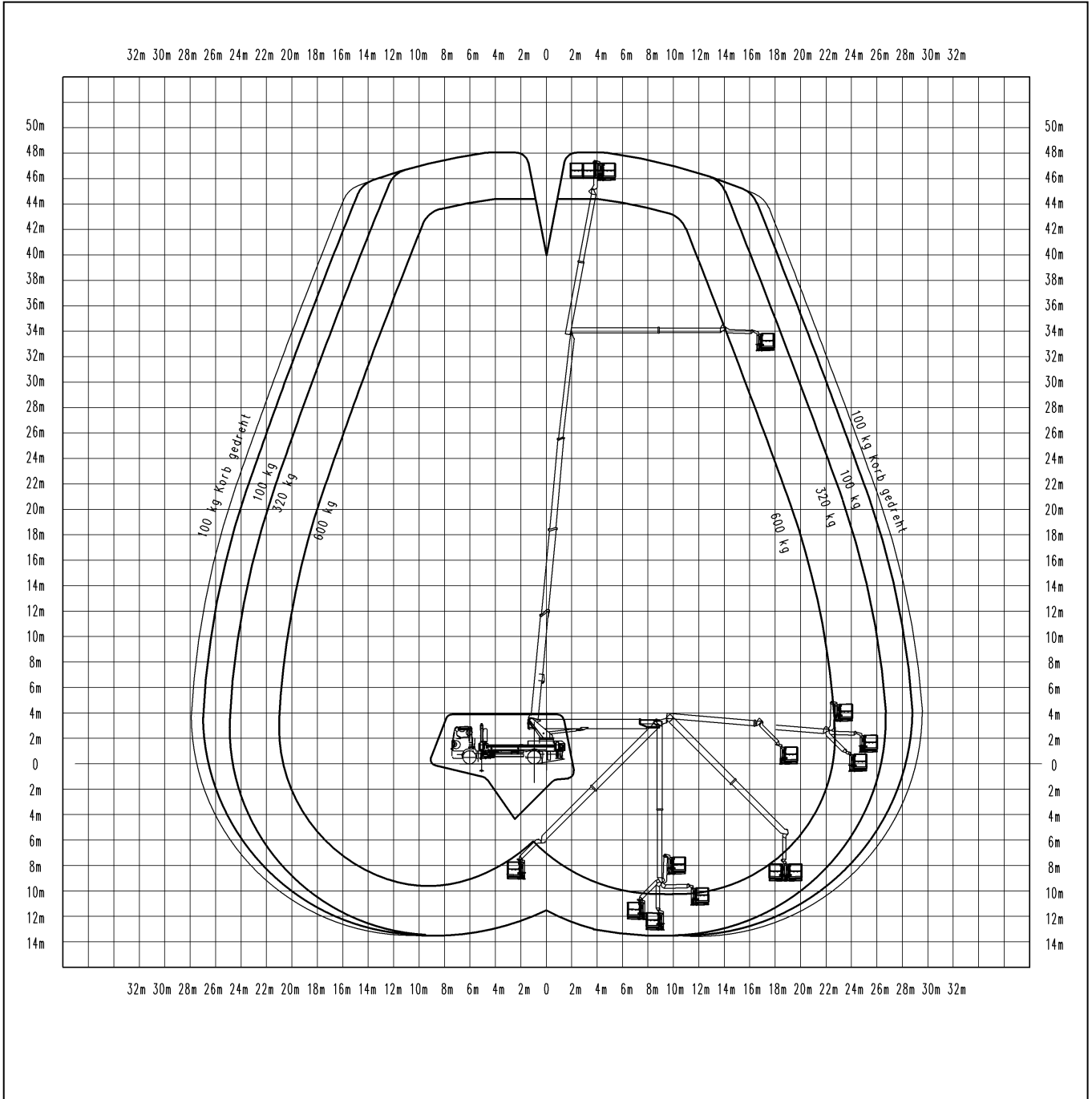


Palfinger P 480

Left view

Extension of stabiliser
outrigger

Front left	50%
Front right	50%
Rear left	50%
Rear right	50%

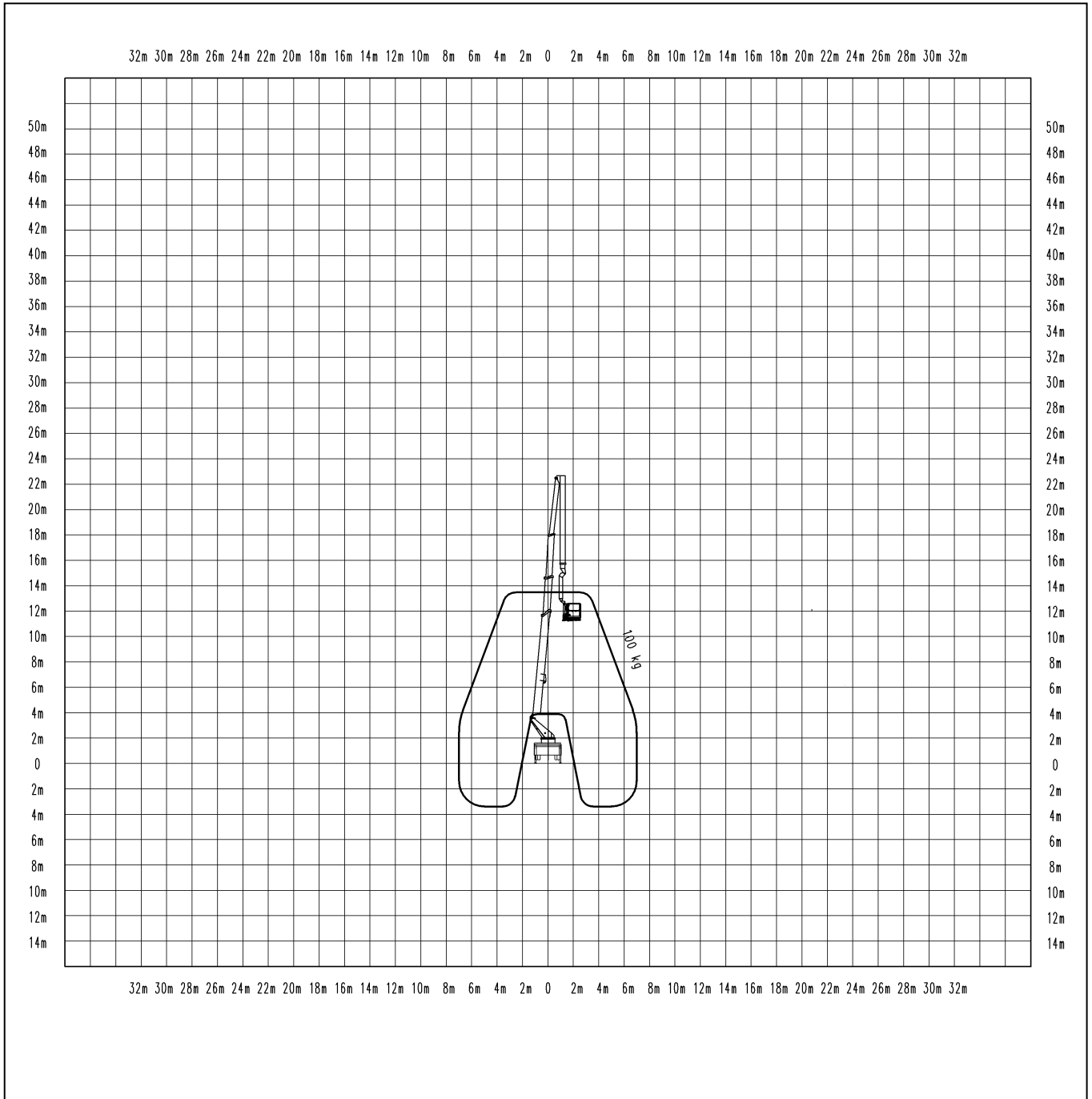


Palfinger P 480

Rear view

Extension of stabiliser
outrigger

Front left	0%
Front right	0%
Rear left	0%
Rear right	0%

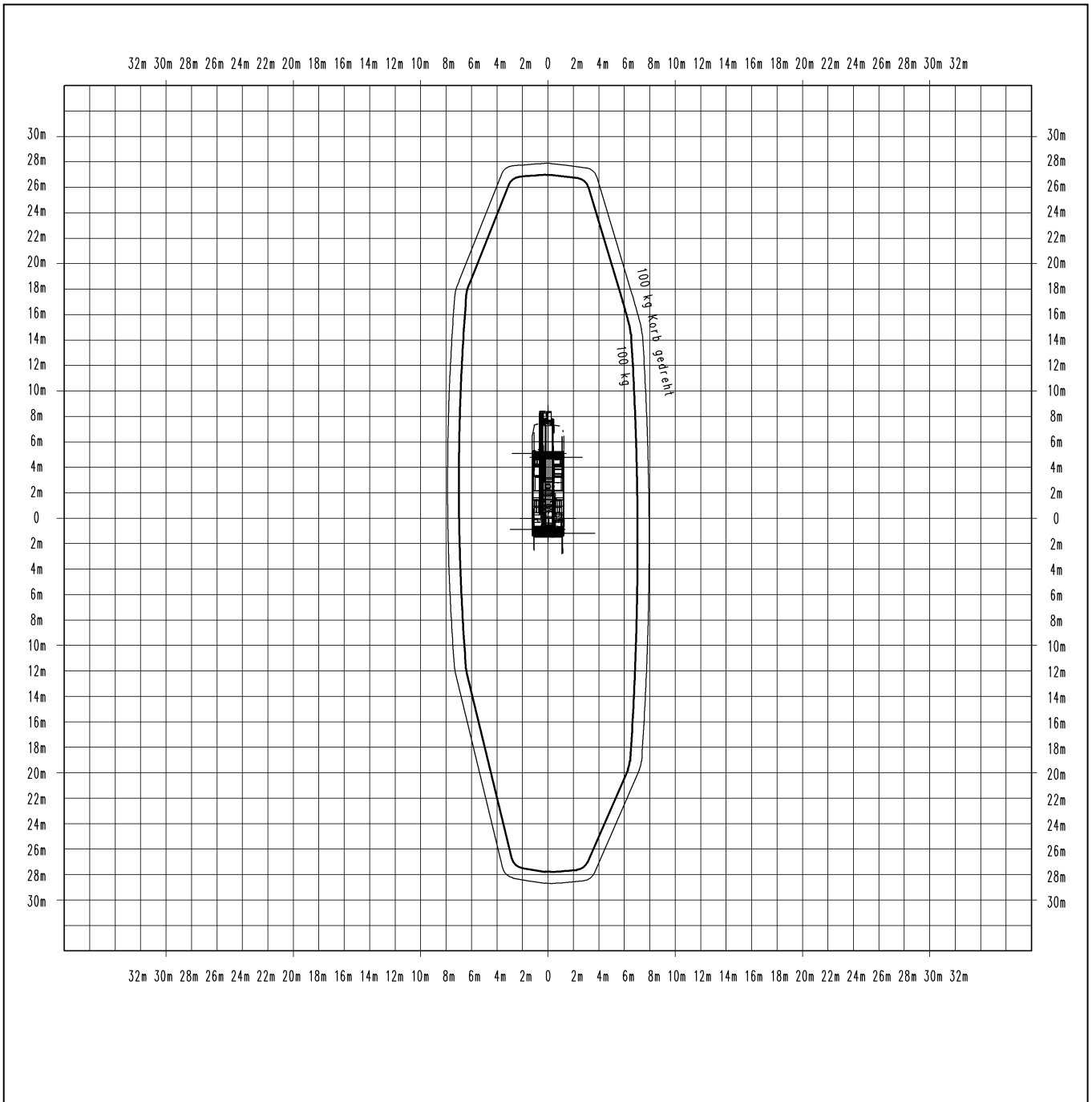


Palfinger P 480

Top view

Extension of stabiliser
outrigger

Front left	0%
Front right	0%
Rear left	0%
Rear right	0%

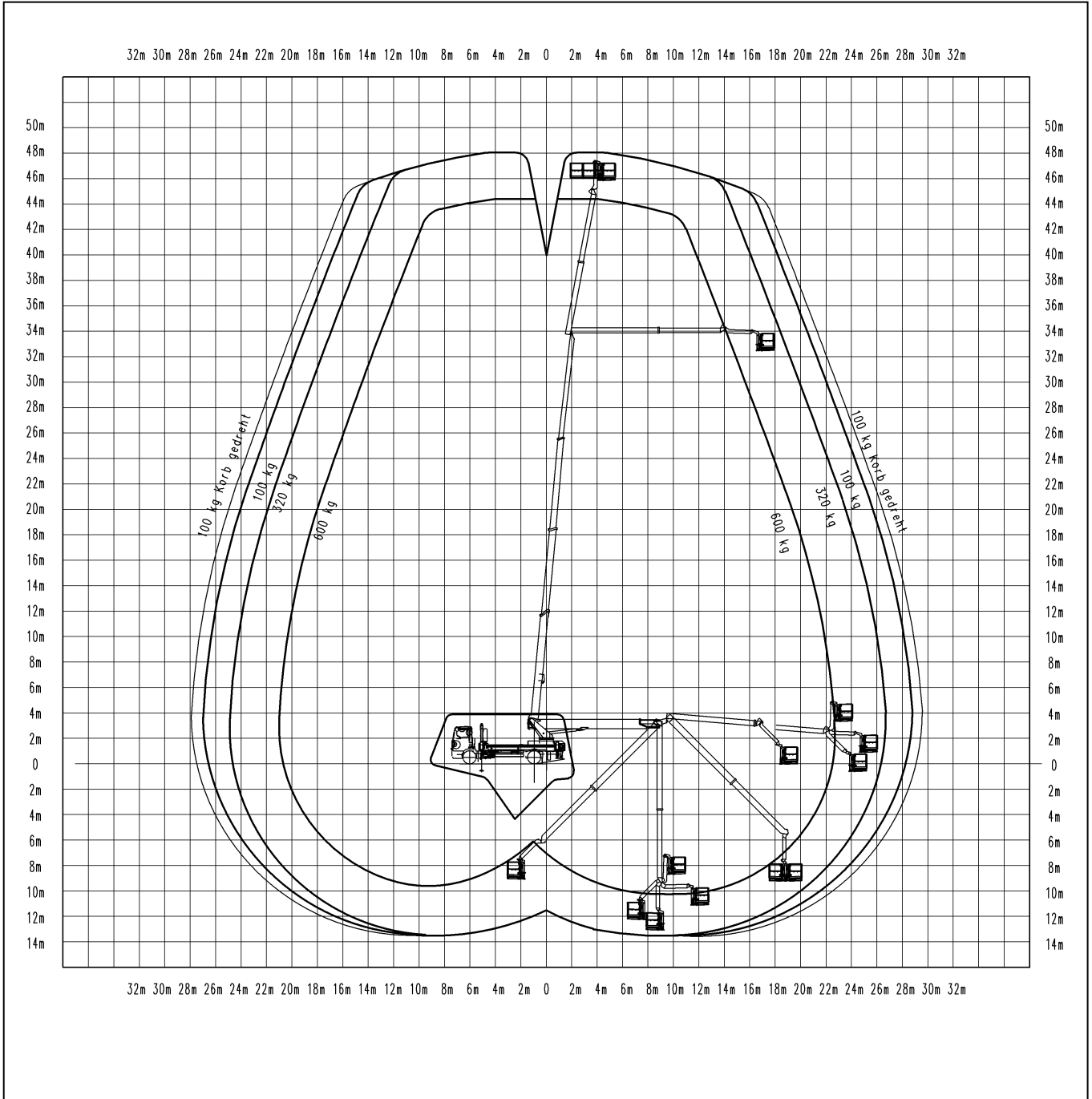


Palfinger P 480

Left view

Extension of stabiliser
outrigger

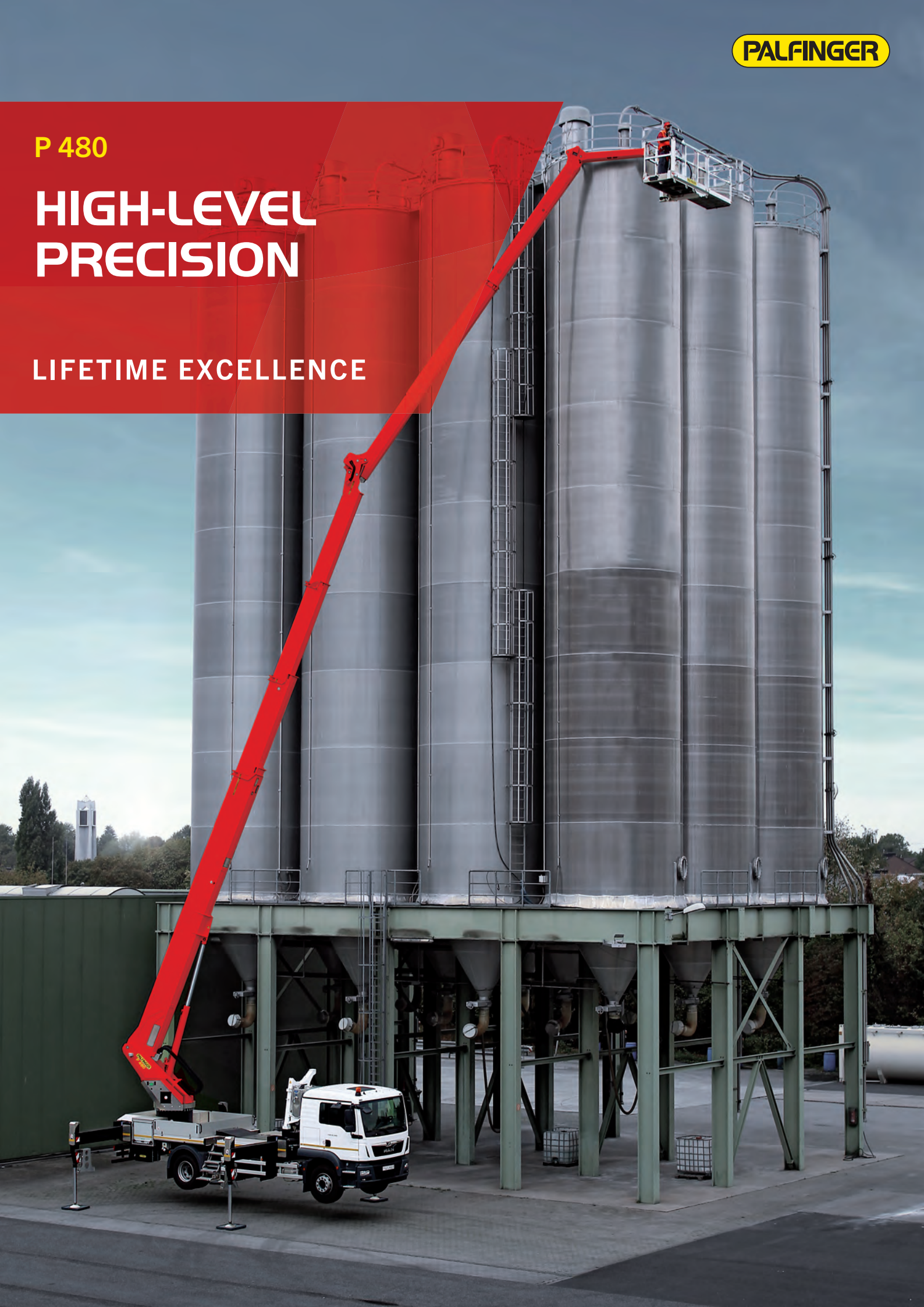
Front left	0%
Front right	0%
Rear left	0%
Rear right	0%



P 480

HIGH-LEVEL PRECISION

LIFETIME EXCELLENCE



HIGHLIGHTS

- Greater flexibility thanks to 240° X-jib
- 2 x 200° rotation for perfect positioning of the workman basket
- Telescopic upper boom up to 17 m length
- 1000 mm stabilising stroke to compensate highly uneven terrain
- Telescopic basket with 600 kg basket load and integrated mount for Powerlift system
- Hanging basket enables users to get close to objects

STANDARDS









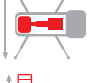




- Reverse camera
- Home function
- Automated positioning system
- Telescopic cage
- Safety plates
- 230 V CEE current supply with CEE socket in the workman cage
- Easy access through integrated stairs to platform
- Oil cooler to maintain the optimum operating temperature

OPTIONS

- Barrier-free Powerlift system
- Increasing the working range using counterweights
- Mobile radio remote controls for access platform and stabiliser operation
- Vertical parallel manoeuvrability of the workman basket for easy control along buildings
- Attachable cable winch under the workman basket with 460 kg lifting capacity

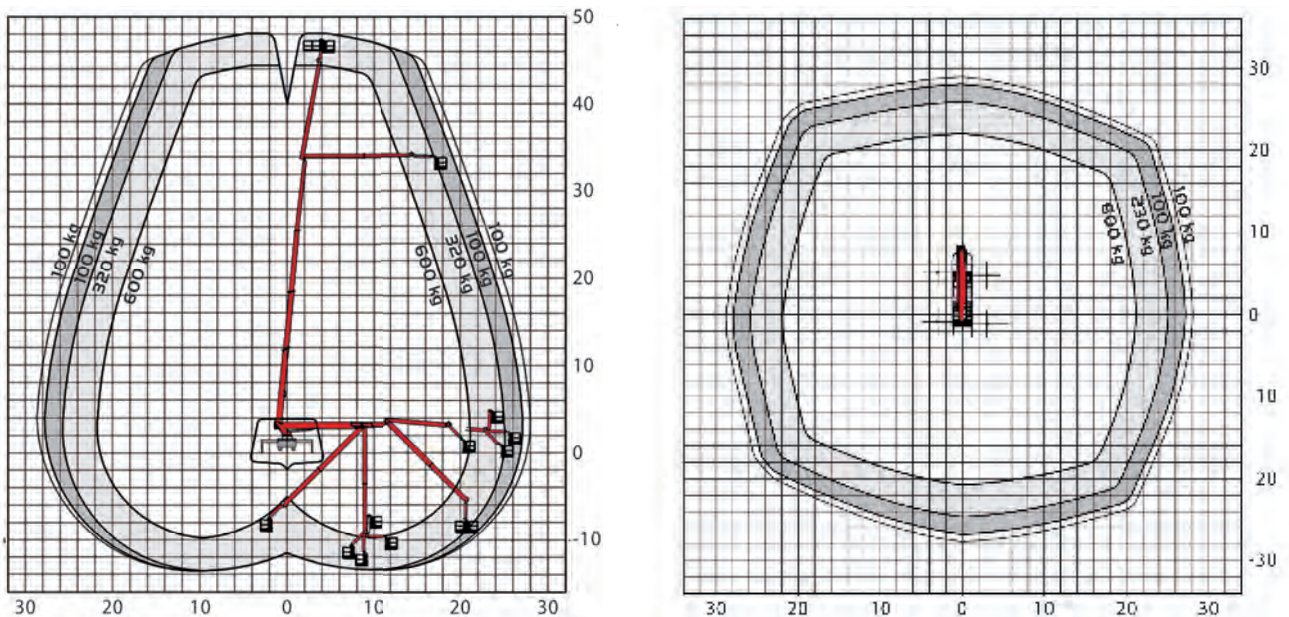


TECHNICAL SPECIFICATIONS

	Total weight *	17600 kg		max. outreach	31 m
	Overall length	9,92 m		Rotation angle of turntable	540°
	Width in transportposition	2.51 m		Rotation angle of cage	2 x 200°
	Height in transportposition	3.96 m		Rotation angle of cage boom	240°
	max. stabiliser width	6.30 m		Size of cage	3.88 x 1.05 x 1.10 m
	max. working height	48 m		max. cage load	600 kg
	max. cage bottom height	46 m			

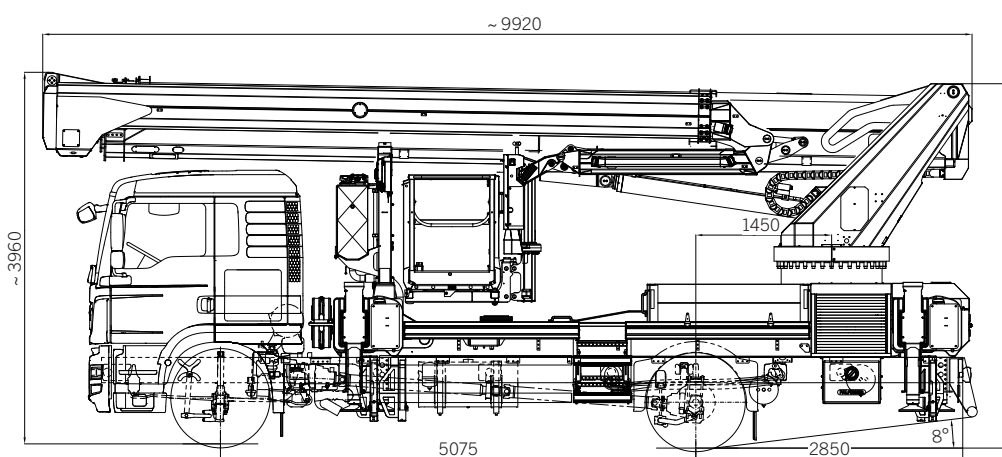
* Depends on truck chassis

WORKING DIAGRAMS



A possible 2% tolerance is contingent on structural components

DIMENSIONS



YOUR CONTACT

Palfinger Platforms GmbH
Düsseldorfer Str. 100
47809 Krefeld | Germany

KP-P480M2+EN

Units shown in the leaflet are partially optional equipped and do not always correspond to the standard version. Country-specific regulations must be observed. Dimensions may vary. Subject to technical changes, errors and translation mistakes.

Palfinger GmbH
Feldkirchener Feld 1
83404 Ainring | Germany

To whom it may concern

Krefeld, 25.11.2020

Dear Sir or Madam,

YOUR ENQUIRY FOR A PALFINGER ACCESS PLATFORM

Thank you very much for your enquiry and your interest in our products and services. We are pleased to support you during the evaluation process to find the right access equipment for safe operations in heights. Based on the information we received we are glad to provide you with a non-binding quotation for:

PALFINGER Access Platform P 480 mounted on MAN TGM 18.290 4x4

PALFINGER stands for the most innovative lifting solutions at the highest technological level. With PALFINGER Access Platforms you invest in safe and reliable height access technology that is of outstanding quality.

PALFINGER is the only manufacturer in the world offering both non-insulated and insulated access platforms reaching working heights from 10m to 103m for chassis weights between 3.5t and 60t GVW. PALFINGER Access Platforms are thus optimally adjusted to the relevant working range.

We always strive to provide the best service and support to our customers. So in case of questions or remarks please do not hesitate to contact us. However, we are convinced that our quotation will meet your expectations and take the liberty of contacting you in this regard.

Yours sincerely,

PALFINGER PLATFORMS GMBH

Michael Gruböck
Sales & Service Manager EMEA

i.A.
Adnan Isso
Area Sales Manager

Quotation for

PALFINGER P 480

mounted on **MAN TGM 18.290 4x4**



Picture shows additional equipment. For reference only.

No.: ADI20201125002-1

Date: 25.11.2020

Quotation for:
To whom it may concern

Your contact:
Inside Sales EMEA
T +49 2151 4792 - 0
F +49 2151 4792 - 130
M
sales.platforms@palfinger.com

PALFINGER PLATFORMS GMBH
Düsseldorfer Str. 100
47809 Krefeld | Germany

CONTENT

Price Overview	4
Your Scope of Supply	4
Our Recommended Additional Equipment and Services	6
Terms and Conditions	7
Your Required Basic Specification	8

PRICE OVERVIEW

YOUR SCOPE OF SUPPLY

Item	Qty	Description	Price (EUR)
P 480	1	PALFINGER Access Platform P 480	
DDK00101	1	Operating instructions, stickers German	
ASC00110	1	Secondary control at the turntable	
ASC00111	1	Remote control for access platform	
AWZ01001	1	Crane winch	
EKM01003	1	Intercom betw. sec. Oper Attach. and cage	
ELB00112	1	4 working lights at basic frame	
ELB00113	1	2 LED working lights on boom rest	
ELW00123	1	Flashing light; fixed left on turntable	
ELW00124	1	Flashing light; fixed right on turntab.	
ELW05002	1	Flash light (LED) under the cage	
ESS00404	1	Cage collision prevention	
FAT00111	1	Modifications at truck chassis / 11	
FUF00101	1	Supply and mounting of underrun	
KAV00105	1	Cage-App - Seat in cage	
KAV00106	1	Cage-App / USB connection in cage	
KAV00204	1	Powerlift-System	
KLL00102	1	High pressure air line cage/base	
SSG00108	1	Anemometer Cover	
VVK00102	1	24 month warranty	
KOST13	1	additional stickers and side marker lights	

to be continued on the next page

TERMS AND CONDITIONS

Terms of delivery

Ex works (EXW) according to Incoterms® 2010, Krefeld. All prices are net prices with VAT excluded.

Validity of pricing

The terms and conditions for the single line items are valid until 25.12.2020. The quotation, however, is non-binding.

Terms of payment

Within 30 days net.

Delivery time

On Stock Unit

Terms and conditions of business

According to our General Terms and Conditions of Business which can be found at <https://www.palfinger.com/en-gb/terms-conditions>. Of course we will be pleased to provide you with the required document upon request.

We reserve the right to make technical alterations without prior notice. Illustrations may differ.

Please take your time to carefully check this quotation. Furthermore, please check if the described machine meets the registration requirements in your country as we cannot assume any liability for local restrictions that may apply.

YOUR REQUIRED BASIC SPECIFICATION

P 480	PALFINGER Access Platform P 480 as per technical description
DDK00101	Operating instructions, stickers, labels and display messages (if display available) in German language
ASC00110	Secondary control at the turntable with seat, graphic display and foot pedal
ASC00111	Remote control system for access platform Not for stabilizers!
AWZ01001	Cable winch pluggable under the cage. Placing of the winch on the aluminium cover panel with automatic uptake and plug function. Hoist power of the cable winch app. 460 kg. Rope length app. 50 m. Declaration of conformity according to DIN EN 13001 (operating of the platform is not possible while cable winch is installed)
EKM01003	Intercom system between secondary operation attachment and cage
ELB00112	4 working lights mounted at the basic frame to illuminate the outrigger areas; switch at the outrigger control/truck chassis cabin
ELB00113	Illumination of surrounding area via 2 LED working lights 12/24 VDC, mounted at the left and right side of the boom rest. Activation via Display in drivers cab.
ELW00123	Flashing light; yellow; fixed; on the left side at the turntable; Type Comet-B LED
ELW00124	Flashing light; yellow; fixed; on the right side at the turntable; Type Comet-B LED
ELW05002	Flash light (LED) under the cage (activ when platform is not in transport position)
ESS00404	Cage collision prevention system; ultrasonic sensor mounted under the cage acting downwards. Software is parameterised; cage stops approx. 4 m above ground
FAT00111	Modifications at truck chassis / 11
FUF00101	Supply and mounting of lateral underrun protection (if not delivered with the chassis)
KAV00105	Cage-App - Seat in cage
KAV00106	Cage-App / USB connection in cage
KAV00204	Powerlift-System, consisting 4 load cross beams and 2 extendable booms
KLL00102	High pressure air line with connection inside the cage (coupling socket) and at the basic frame (coupling plug)
SSG00108	Anemometer Cover
VVK00102	24 month warranty according to the export service agreement.

KOST13

- 1) Sticker max. speed 80 and max. speed 70 mounted on the left and right side of the rear (
- 2) side marker lights mounted at the underrun protection

MXLKW-MAN

MAN TGM 18.290 4x4 , wheelbase 4800, C-Cab cab, Euro 6d