

FORD

P 130 A

NEW RANGER GSR 2.0

AVAILABLE

DEMO




SPECIFICATION

STANDARD EQUIPMENT

- Fittings for safety belts on basket
- Engine on/off control from the basket
- Manual emergency descent controls
- Electric hour meter
- Planarity check device
- Double access to the basket from the ground
- Outrigger/boom interlock
- Air/water supply to the basket
- Outrigger resting plates with housing on platform floor
- Emergency hand pump
- 12V socket on the basket
- 230 V or 110 V / 16 A socket on the basket
- Test button for signal lights on panels
- Emergency stop buttons
- Magnetic rotating lamp for the vehicle's cab

OFFER INFORMATION

Location details

Modena, 41122 - Italy 

Dealer Name

Palfinger SRL

Availability

Available

Contact person

Palfinger SRL

Dealer E-mail

info@palfingerplatformsitaly.it

Dealer phone

059252426

- System to signal rotation centering of machine in resting position with signal light and analogue signal
- Flanged lock valves on all cylinders
- Max. pressure valves on hydraulic system

CONFIGURATION OF THIS UNIT:

- Fiberglass basket
- Insulation 1000V
- Rotating cage
- Plastic toolboxes

PRODUCT

| | | | |
|--------------------------|-----------|----------------------------|------------|
| Manufacturer | PALFINGER | Max. height of work | 13,00 m |
| Model | P130 A | Turret rotation | 360° |
| Construction year | 2026 | Basket capacity | 200 kg |
| | | Basket material | Fiberglass |

TRUCK

| | | | |
|---------------------------|---------------------------|-----------------------------|---------|
| Truck manufacturer | FORD | Wheel base | 3270 |
| Vehicle type | FORD RANGER E6 3,5 TON | Emmission standard | EURO 6 |
| Drivers cabine | B | Axes | 4x4 |
| | | Gross vehicle weight | 3,5 TON |

PALFINGER

P 130 A LOW SMART

**RELIABILITY,
SAFETY AND
PERFORMANCE
ON ANY TERRAIN**

LIFETIME EXCELLENCE



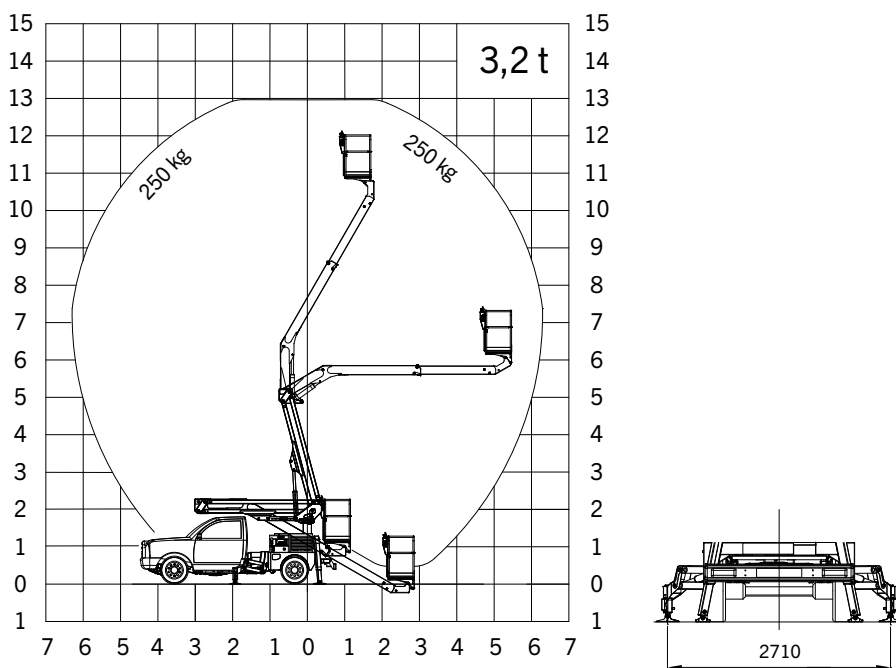
TECHNICAL SPECIFICATIONS

| | |
|--------------------------------------|-------------------|
| Maximum working height | 13 m |
| Maximum cage floor | 11 m |
| Maximum lateral outreach | 6.3 m |
| Angle of main boom | -30° + 60° |
| Turntable rotation | 360° |
| Basket capacity | 250 kg |
| Basket dimensions | 1.4 x 0.7 x 1.1 m |
| Height in transport conditions | 2.37 m |
| Width in transport conditions | 1.88 m |
| Length in transport conditions | 5.62 m |
| Can be driven with a class B license | |

OPTIONAL

| |
|--|
| Toolbox with rolling shutter |
| Fiberglass basket |
| Emergency electropump connected to the battery |
| Adjustable 60 W headlamp on the basket |
| Insulation 1000 V |
| Ladder to climb to the basket in stow position |
| Bordering |
| Paint upon request by the client, aerial part |

WORKING DIAGRAMS



DIMENSIONS



SALES DEALER

PALFINGER

P 130 A LOW SMART

**AFFIDABILITÀ,
SICUREZZA E
PERFORMANCE
SU QUALSIASI TERRENO**

LIFETIME EXCELLENCE



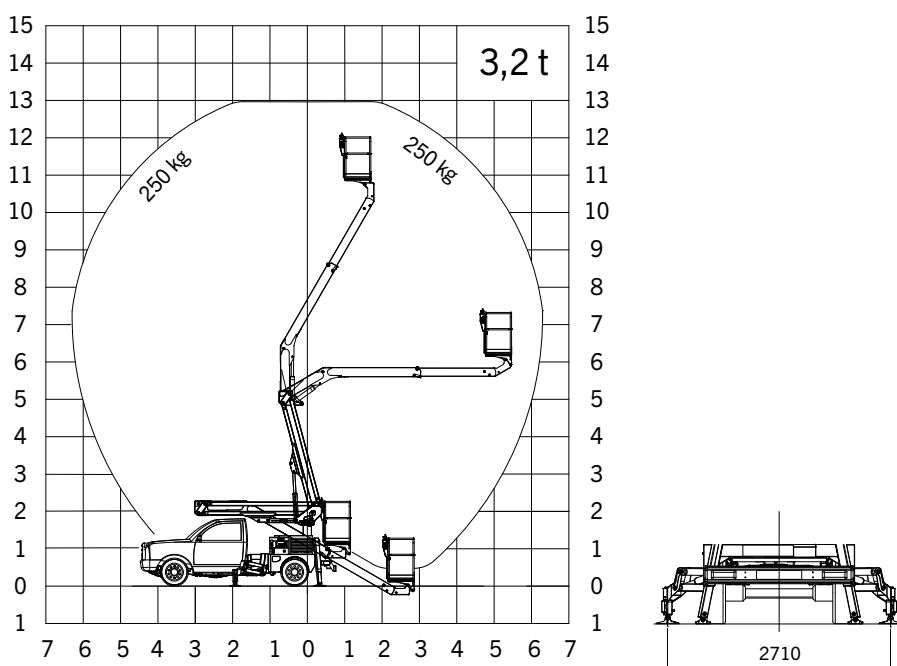
DATI TECNICI

| | |
|--|-------------------|
| Altezza massima di lavoro | 13 m |
| Altezza massima piano piattaforma | 11 m |
| Sbraccio laterale massimo | 6,3 m |
| Angolo operativo del braccio di lavoro | -30° + 60° |
| Rotazione colonna | 360° |
| Portata massima in piattaforma | 250 kg |
| Dimensioni cestello | 1,4 x 0,7 x 1,1 m |
| Altezza in condizioni di marcia | 2,37 m |
| Larghezza in condizioni di marcia | 1,88 m |
| Lunghezza in condizioni di marcia | 5,62 m |
| Conducibile con patente B | |

OPTIONAL

| |
|--|
| Cassetta porta attrezzi con serranda |
| Cestello in vetroresina |
| Elettropompa di emergenza collegata alla batteria |
| Faro di lavoro orientabile 60 W sul cestello |
| Isolamento 1000 V |
| Scaletta accesso al cestello in posizione di trasporto |
| Spondine |
| Verniciatura su richiesta del cliente |

DIAGRAMMI DI LAVORO



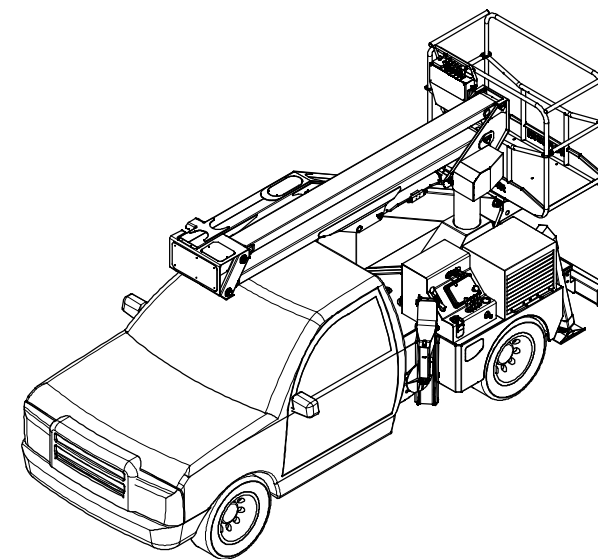
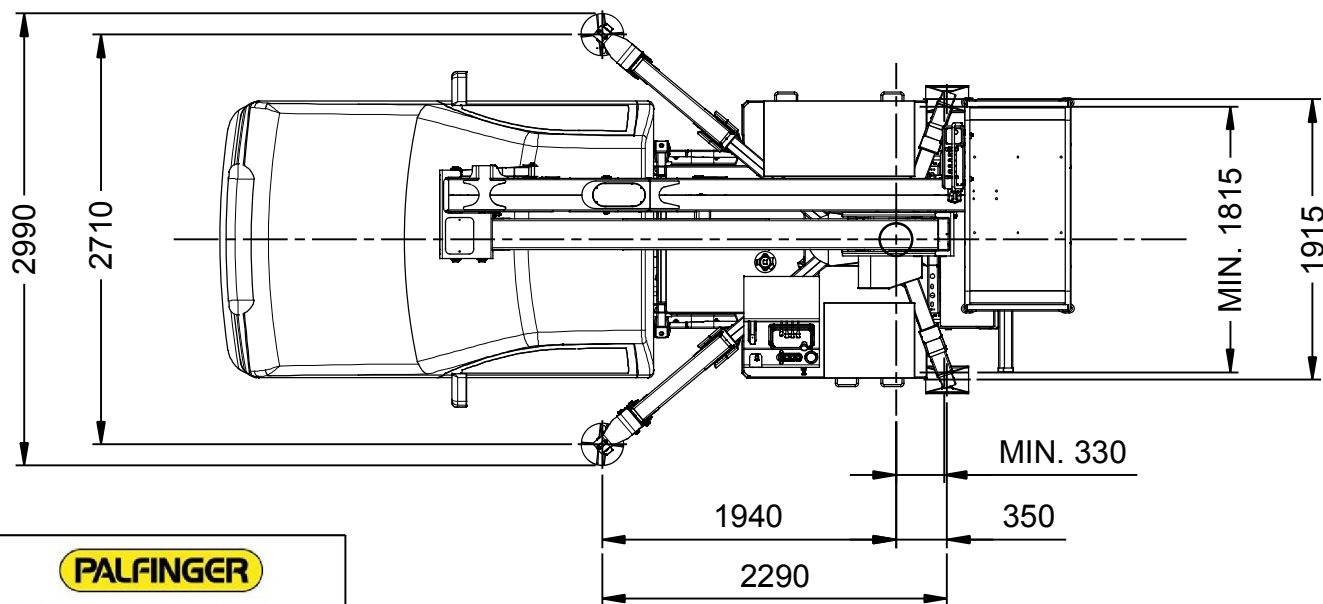
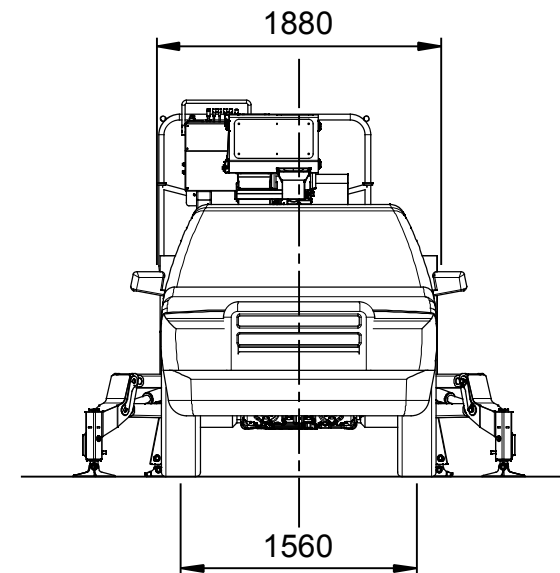
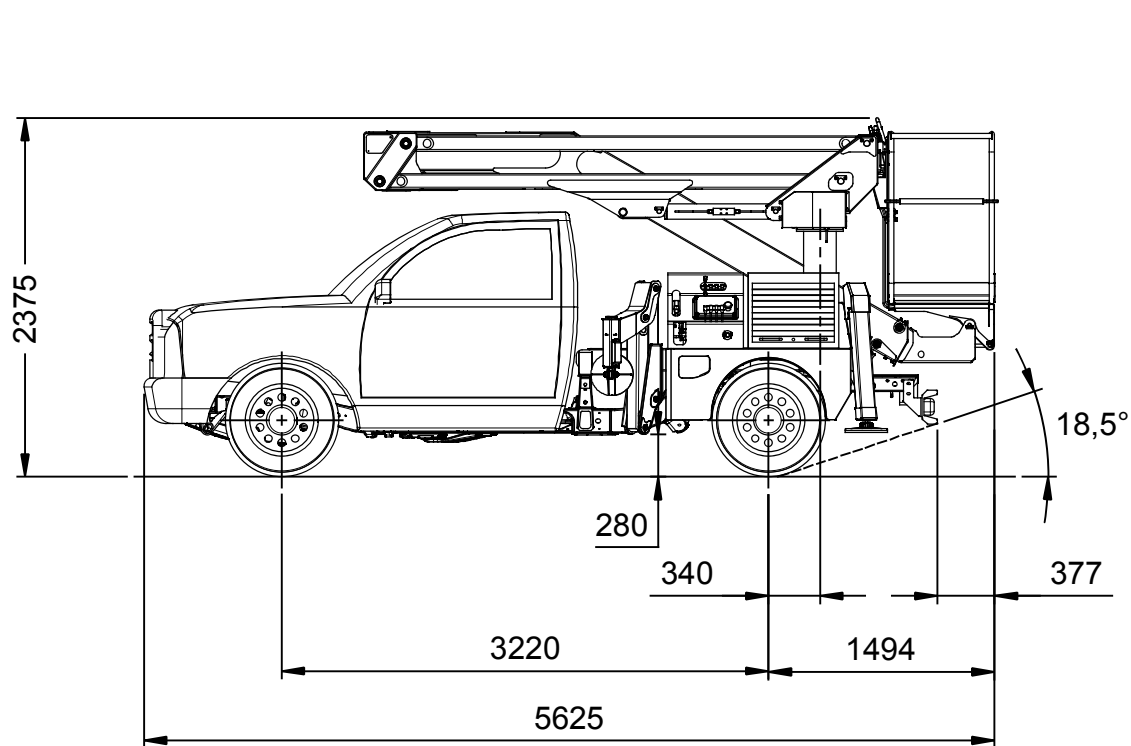
DIMENSIONI



PALFINGER

PALFINGER PLATFORMS ITALY SRL
 Sede amministrativa e operativa: Via E. DE NICOLA, 31
 41122 MODENA - ITALY - TEL. +39 (0)59252426
 EMAIL info@palfingerplatformsitaly.it
www.palfingerplatformsitaly.it

I dispositivi mostrati nelle foto presentano in alcuni casi allestimenti personalizzati e possono differire dall'allestimento standard. Nella costruzione è necessario rispettare le normative nazionali. Le dimensioni indicate non sono vincolanti. Con riserva di modifiche tecniche, errori ed errori di traduzione.



PALFINGER
Palfinger Platforms Italy s.r.l.


macchina : P 130 A

data : 04 / 05 / 2015

PLATFORMS | AREA SALES MANAGER



HEAD OF SALES
MICHAEL GRUBÖCK



LAURA GARAGNANI
Responsible Areas:
France, Portugal, Spain, Ireland United Kingdom



CHRISTIAN BUSCH
Responsible Areas:
Switzerland, Slovakia, Hungary, Romania, Bulgaria, Australia, New Zealand, Georgia




TIMO LENZEN
Responsible Areas:
Norway, Sweden, Finland, Island, Denmark, Faroe Islands, Latvia, Lithuania, Estonia, Czech Republic, Poland, Ukraine, Moldova



ADNAN ISSA
Responsible Areas:
Netherlands, Belgium, Luxembourg




NICOLAS HARTER
Responsible Areas:
Slovenia, Croatia, Greece, Cyprus, Serbia, Bosnia, Kosovo, Montenegro, Albania, Macedonia, Israel, Turkey, Georgia, Syria, Lebanon, Jordan, Iraq, Iran, Afghanistan, Saudi Arabia, Kuwait, Bahrain, Qatar, UAE, Oman, Yemen



NANCY NYAMBURA
Responsible Areas:
Africa



JOHANN POSCHNER
Responsible Areas:
Germany, Austria



ALFREDO CAREDDU
Responsible Areas:
Italy, Malta

