

IVECO

**PK 6001 HP CI**

**IVECO DAILY 65C15**

CONTRACT NUMBER: U7720BXR

USED

AVAILABLE



### OFFER INFORMATION

Location details

PALFINGER IBERICA, 28890 - Spain 

Dealer Name

PALFINGER EMEA GmbH



Availability

Available

Product type

Used

Contract number

U7720BXR

Dealer E-mail

sales@palfinger.com

Dealer phone

004366488345792

TRUCK

Construction

Crane and platform

# PK 6001

Performance

**PALFINGER**



A LOW WEIGHT CRANE FOR THE HEAVY JOBS



# THE LONGEST HYDRAULIC OUTREACH IN ITS CLASS

With its low weight and the optimal lifting moment to dead weight ratio the PK 6001 *Performance* ensures maximum payload.

With 11.2 metres it also offers the longest hydraulic outreach in its metre-tonne class. During close in working it offers maximum loading height.



## Return oil utilisation

The high speed of the extension system is impressive. It results from the return oil utilization feature, which is installed as standard, and the generously dimensioned hydraulic pipes. This makes for increased efficiency during all types of working!



## Electronically assured safety

The optional PALTRONIC 50 electronic control system is a real advance in safety and convenience.

## Hydraulic overload safety device

Also available as an option is the hydraulic overload safety device. In the event of overloading it immediately blocks any movements which would increase the load moment.

## Internally routed oil passages

The internally routed oil passages make it possible to have a compact design for the extension system and ensure perfect protection from damage.

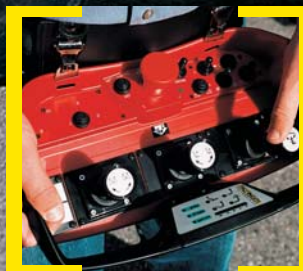
## Ergonomic crane control

The operating levers for all crane functions are arranged ergonomically on the console. This facilitates comfortable, efficient working. The control console is mounted so that it is easy to service.

## Radio control

The optional PALFINGER radio control system with digital data transmission ensures maximum safety and convenience. The display which is integrated in the control console informs the crane operator continuously about the current capacity status of the crane.

In combination with the PALFINGER radio control system, the load sensing proportional valve enables the crane to be adjusted with great sensitivity.



# FOR SAFETY AND COMFORT WHILE WORKING



## Hose equipment for accessories

This option provides the oil supply for accessories. The hoses are routed in compact hose troughs and are therefore well protected.

## Central lubrication

For all bearings in the base frame.



## Load-holding valves

They prevent the crane boom from dropping and are fitted as standard on all cylinders. The valves are positioned in such a way as to protect them from damage.



## Extension system

- The extension cylinders are guided by using Jordal rails and rollers.
- Optimal height compensation of the extension cylinders.



## Large outrigger widths

The PK 6001 *Performance* fits on all standard truck chassis. Three stabiliser spreads are possible : 3.0 m (mechanical), 4.4 m (mechanical) and 5.0 m (hydraulic).

# TECHNICAL DATA

## Max. lifting capacities

## PK 6001 Performance

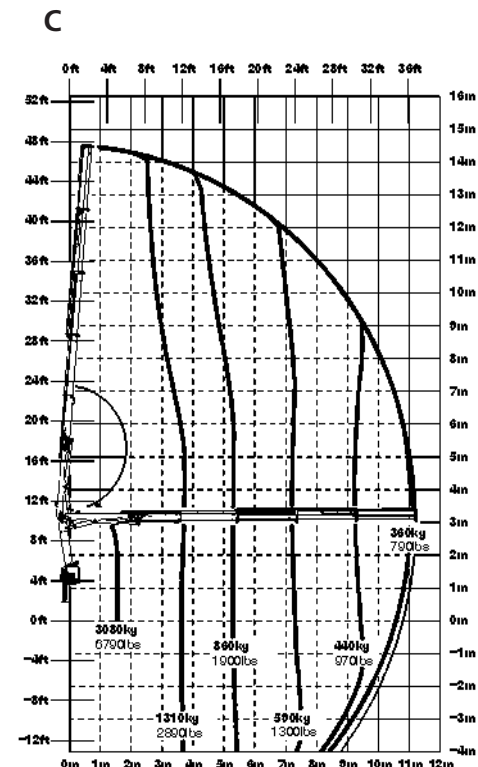
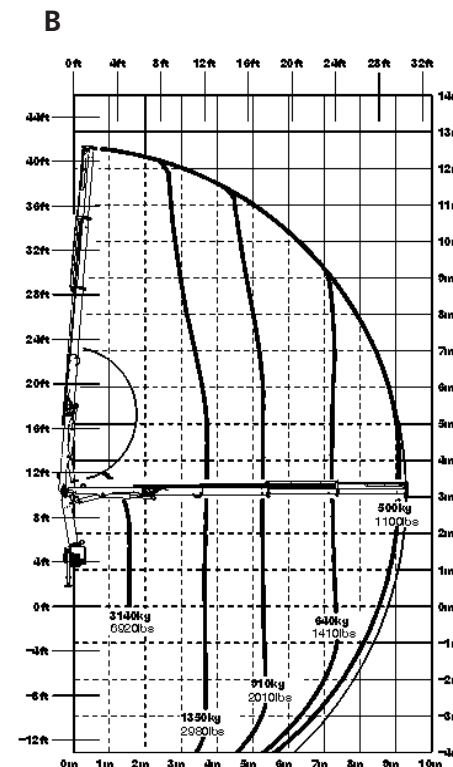
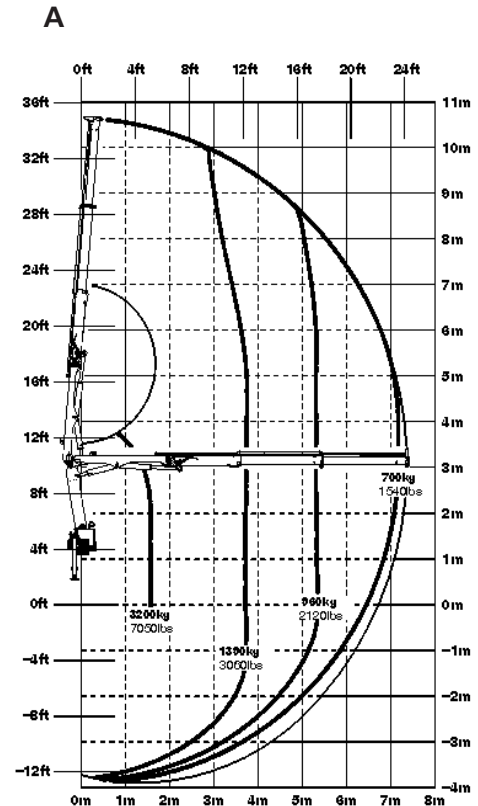
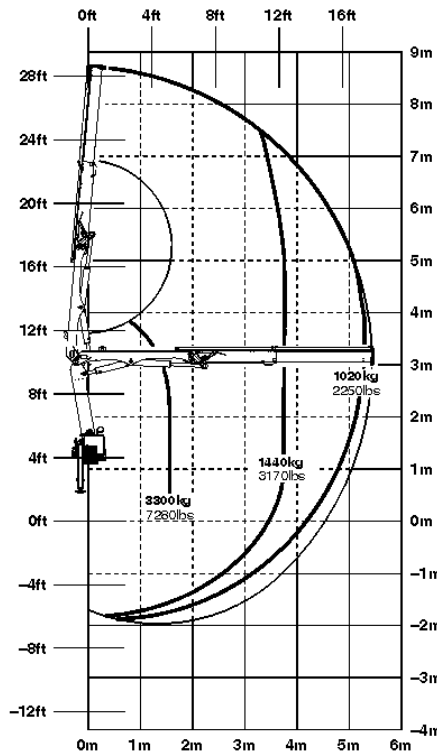
PK 6001 Performance			
hydraulic			
Max. lifting capacities		3300 kg	7280 lbs
Outreach		Capacity	
3.7 m	12' 2"	1440 kg	3170 lbs
5.3 m	17' 5"	1020 kg	2250 lbs

PK 6001 Performance A			
hydraulic			
Max. lifting capacities		3200 kg	7050 lbs
Outreach		Capacity	
3.7 m	12' 2"	1390 kg	3060 lbs
5.3 m	17' 5"	960 kg	2120 lbs
7.2 m	23' 7"	700 kg	1540 lbs

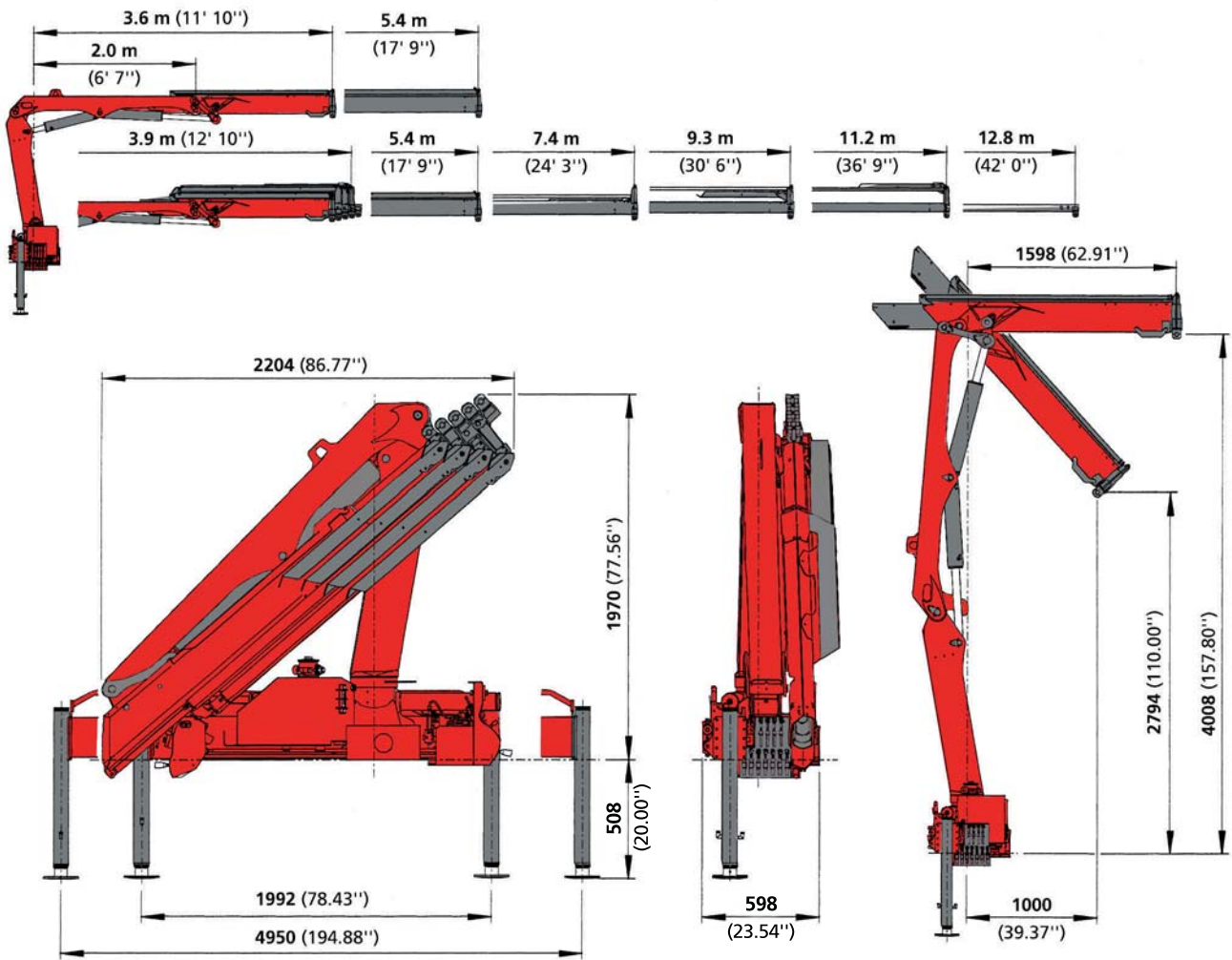
PK 6001 Performance B			
hydraulic			
Max. lifting capacities		3140 kg	6920 lbs
Outreach		Capacity	
3.7 m	12' 2"	1350 kg	2980 lbs
5.3 m	17' 5"	910 kg	2010 lbs
7.2 m	23' 7"	640 kg	1410 lbs
9.2 m	30' 2"	500 kg	1100 lbs
manual			
11.1 m	36' 5"	390 kg	860 lbs
12.7 m	41' 8"	220 kg	490 lbs

PK 6001 Performance C			
hydraulic			
Max. lifting capacities		3080 kg	6790 lbs
Outreach		Capacity	
3.7 m	12' 2"	1310 kg	2890 lbs
5.3 m	17' 5"	860 kg	1900 lbs
7.2 m	23' 7"	590 kg	1300 lbs
9.2 m	30' 2"	440 kg	970 lbs
11.1 m	36' 5"	360 kg	790 lbs
manual			
12.6 m	41' 4"	220 kg	490 lbs

The outreaches stated are with a boom angle of 20° and are therefore not the maximum.



# PALFINGER QUALITY THAT SPEAKS FOR ITSELF



## PK 6001 Performance

### Technical Specifications (EN 12999 H1-B3)

Max. lifting moment	5.4 mt/53.0 kNm	39080 ft.lbs
Max. lifting capacity	3300 kg/32.4 kN	7280 lbs
Max. hydraulic outreach	11.2 m	36' 9"
Max. manual outreach	12.9 m	42' 4"
Slewing angle	400°	

## PK 6001 Performance

### Standard crane

Slewing torque	0.7 mt/6.9 kNm	5090 ft.lbs
Outreach	5.4 m	17' 9"
Stabilizer spread standard	3.0 m	9' 10"
Stabilizer spread max.	5.0 m	16' 3"
Fitting space required	0.63 m	2' 1"
Width folded	2.2 m	7' 3"
Max. operating pressure	300 bar	4350 psi
Recommended pump capacity	from 4.4 imp.gal./min	5.3 US gal./min
	to 6.6 imp.gal./min	7.9 US gal./min
with radio remote control and LS-System	8.8 imp.gal./min	10.6 US gal./min
Dead weight standard crane	721 kg	1590 lbs

Applications shown in the leaflet do not always correspond to the standard specifications. Design and specification are subject to change without prior notice. Country-specific regulations must be considered for the crane installation.

**PALFINGER**

We reserve the right to change design and specification without prior notice.

KP-PK6001M1+E, 12/06

www.palfinger.com