

ETC MH 40 IH - Insulated Articulated Telescopic



Ford 2025 F-600 4x4

FORD

# ETC MH 40 IH - INSULATED ARTICULATED TELESCOPIC 2025 F-600 4X4

STOCK NUMBER: A22355

NEW

AVAILABLE



## OFFER INFORMATION

Location details

6635 S. 13th St. | Milwaukee | WI, 53221 - United States

Dealer Name

Giuffre Bros. Cranes Inc.



Availability

Available

Product type

New

Stock number

A22355

Contact person

Daniel Walsh

Dealer E-mail

dwalsh@giuffre.com

Dealer phone

414-764-9200

## DESCRIPTION

With a 40' working height, 30' side reach, a 24" x 30" bucket, and continuous rotation, the **ETC MH 40 IH** delivers the maneuverability and reach you expect from a PALIFINGER bucket truck. Single-handle control, basket and turret full-pressure hydraulic controls with complete feathering capabilities, an extended shear ball rotation shaft, replaceable pin bushings, an emergency lowering valve, and engine start/stop at the bucket are powerful standard features.

# \$ 199,900



**AERIAL DETAILS**

<b>Insulated / Non-Insulated</b>	Insulated	<b>Type</b>	Articulated Telescopic
		<b>Material Handler</b>	Yes

**CHASSIS DETAILS**

<b>Condition</b>	New	<b>Make</b>	Ford
		<b>Model</b>	F-600

### AERIAL UNIT DETAILS

- 40 ft Bucket Height
- 45 ft Working Height
- Continuous Rotation
- Insulated Boom
- Articulated-Telescopic
- Full Hydraulic Controls
- 180 Degree Platform Rotator
- 24 x 30 Platform
- Hydraulic Jib Winch with 1,000 lb Lift Capacity
- Two Front Outriggers

### BODY MODEL DETAILS

- PALFINGER Steel Service Bed
- 132 in Length + 36 in Tail Shelf
- 60 Galvanneal Steel Material
- Stainless Latches
- Master Lock System for All Doors

### CHASSIS DETAILS

- New Ford F-600
- 6.7 Liter Diesel Engine
- Automatic Transmission
- 4x4
- AM/FM Radio
- Hitch
- Heat/AC
- Auxiliary Lighting

**PALFINGER**

# ETC MH 40 IH

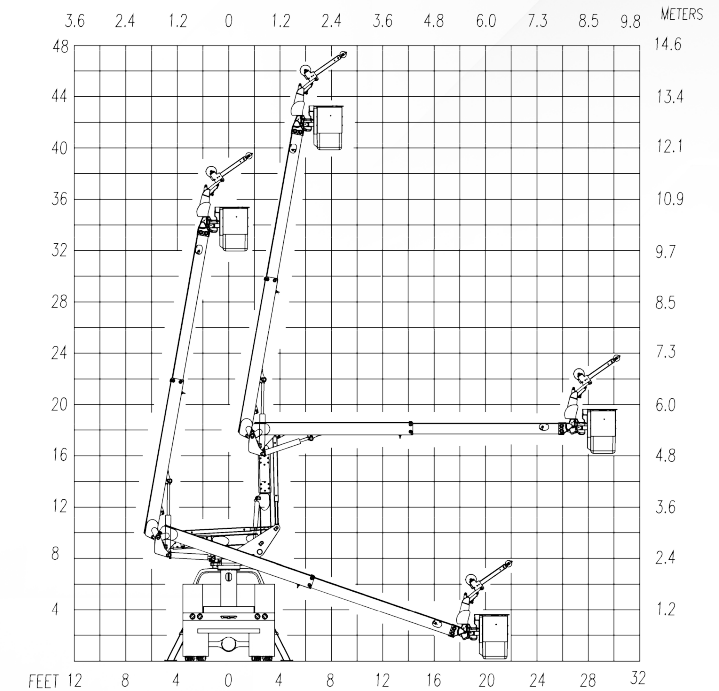
ARTICULATED/TELESCOPIC—INSULATED  
MAXIMUM VERSATILITY



# ETC MH 40 IH



## OPERATIONAL ZONE



With a 40' working height, 30' side reach, a 24" x 30" bucket, and continuous rotation, the ETC MH 40 IH delivers the maneuverability and reach you expect from a PALFINGER bucket truck. Single-handle control, basket and turret full-pressure hydraulic controls with complete feathering capabilities, an extended shear ball rotation shaft, replaceable pin bushings, an emergency lowering valve, and engine start/stop at the bucket are powerful standard features

<b>GENERAL SPECS:</b>	Height to Bottom of Bucket 40'	Working Height 45'	Side Reach End Mount 30'	Rotation Continuous	Lower Boom Articulation -3° to 89°	Upper Boom Travel -23° to 80°	Rated Bucket Capacity 400 lbs.	
<b>OPTIONS:</b>	Emergency hydraulic power (12VDC)	Hydraulic tool circuit	Two-speed throttle	Bucket liner	Bucket cover	180° hydraulic bucket rotator	Outriggers	DC power options, including cab comfort
<b>MINIMUM VEHICLE REQUIREMENTS:</b>	GVWR (dual rear wheels) 19,500 lbs.	C.A. 84 in.	ANSI 92.2 Category C 46kV and below					

PALFINGER North America, LLC.

341 Northwest 122nd St | Oklahoma City | Oklahoma | 73114 | +1 888 748 384 | PALFINGER.COM

\*All specifications are based on the 40" frame height and subject to change without notice. Bucket trucks shown in this brochure are partially optional equipped and do not always correspond to the standard version. Country-specific regulations must be observed. Dimensions may vary. Subject to technical changes, errors and translation mistakes.