

ETC 40 IH - Insulated Articulated Telescopic Ford
2025 F-600



FORD

ETC 40 IH - INSULATED ARTICULATED TELESCOPIC 2025 F-600

STOCK NUMBER: 25808


NEW

AVAILABLE



OFFER INFORMATION

Location details

4000 King Air Drive , Bryan, TX, 77808 - United States 

Dealer Name

Infrastructure Equipment Group



Availability

Available

Product type

New

Stock number

25808

Contact person

Jordan Tuttle

Dealer E-mail

jtuttle@ieg.com

Dealer phone

+1-979-999-9000

\$ 169,900

ETC 40 IH BUCKET TRUCK

- 2024 Palfinger ETC-40-IH
- Insulated
- Articulating & Telescopic Boom
- 45 ft Working Height
- 29 ft Side Reach
- 400 lb Bucket Capacity

BODY DETAILS

- Utility Tool Box Body
- Curb Side Bed Access

CHASSIS DETAILS

- 2024 Ford F-600
- 4x4
- Diesel
- Power Windows
- Keyless Entry
- Back up Camera

PALFINGER

ETC 40 IH

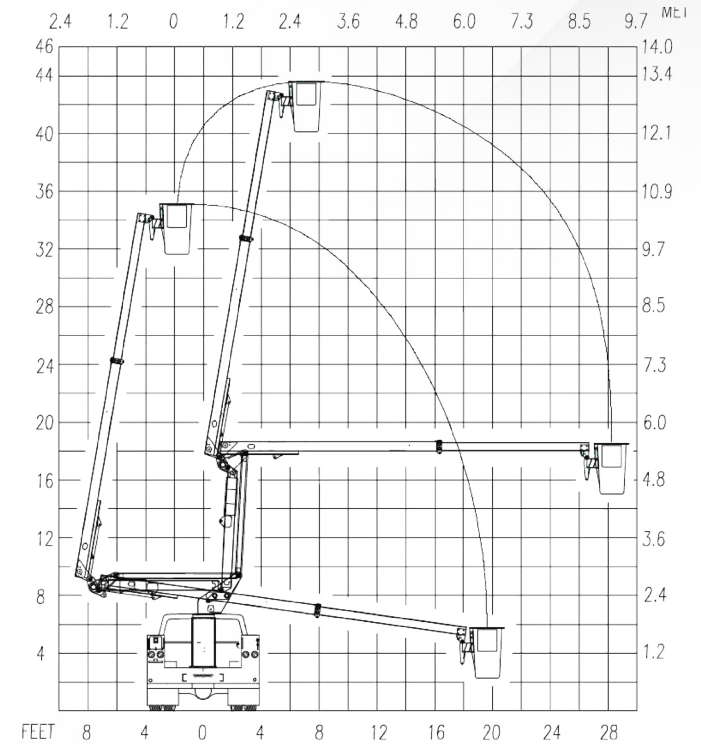
ARTICULATED/TELESCOPIC — INSULATED
MAXIMUM SIDE REACH



ETC 40 IH



OPERATIONAL ZONE



PALFINGER's powerful ETC 40 IH features continuous rotation, single-handle bucket control, in-basket and turret full-pressure hydraulic controls, and manual shear ball rotation. In addition, the 24"x30" bucket offers engine start/ stop and tilt/rescue features.

GENERAL SPECS:	Height to Bottom of Bucket 40'	Working Height 45'	Side Reach End Mount 29' 4"	Stowed Height 10' 4"	Rated Bucket Capacity 400 lbs.			
OPTIONS:	Emergency hydraulic power (12VDC)	Hydraulic tool circuit	Two-speed throttle	Bucket liner	Bucket cover	180° hydraulic bucket rotator	Outrigger options	DC power options, including cab comfort
MINIMUM VEHICLE REQUIREMENTS:	GVWR (dual rear wheels) 19,500 lbs.	GAWR (front) 7,000 lbs.	GAWR (rear) 13,500 lbs.	C.A. 60 in.	ANSI 92.2 Category C 46kV and below			

PALFINGER North America, LLC.

341 Northwest 122nd St | Oklahoma City | Oklahoma | 73114 | +1 888 748 384 | PALFINGER.COM

*All specifications are based on the 40" frame height and subject to change without notice. Bucket trucks shown in this brochure are partially optional equipped and do not always correspond to the standard version. Country-specific regulations must be observed. Dimensions may vary. Subject to technical changes, errors and translation mistakes.