

ETC 40 IH - Insulated Articulated Telescopic Ford

2025 F-600 XL



FORD

## ETC 40 IH - INSULATED ARTICULATED TELESCOPIC

2025 F-600 XL

STOCK NUMBER: F600BUCKET

NEW

ARRIVING SOON



### OFFER INFORMATION

Location details

5115 N Broadway | Wichita | KS, 67219 - United

States

Dealer Name

Master Tech Truck and Equipment



Availability

Arriving Soon

Product type

New

Stock number

F600bucket

Contact person

MTTE Sales

Dealer E-mail

MTTEinfo@MTTE.pro

Dealer phone

316-765-6883

Prior sale and changes reserved!

Print date: Apr 5, 2026, 5:35:11 PM

## ETC 40 IH BUCKET TRUCK

### ETC 40 IH

- 44' 9" Working Height
- 39' 9" Ground To Bottom Of Bucket
- 29' 6" Side Reach With End Mount Bracket
- **CONTINUOUS ROTATION**
- **INSULATED**
- Fiber Glass Inner Boom
- Body Harness With Deceleration Lanyard
- Emergency Upper Boom Controlled Decent Value
- End Mount Bucket Bracket With 180° Hydraulic Rotator
- Manual Emergency Lowering Valve At Bucket Controls
- Non-Metallic 4-Function Single-Handle Control With Hydraulic Tool Circuit With Flow Divider And Pressure Relief
- Bucket Cover With Foam Insert For 24x30 Bucket
- 400 lb BUCKET CAPACITY
- **PTO & Pump Powered Hydraulics**

## BODY DETAILS

### 11' Brand FX BFXB 84DLSW2 Standard Service Body

- **Pack Depth:** 20.00
- **Floor Width:** 54.00
- **Pack Height:** 42.00
- Steel Understructure – Aluminum Tread Floor
- Stainless Steel Rotary Latch
- Aluminum Tail Skirt
- Standard Shelving Package
- Torsion Bar Stabilized Build
- Push/Pull Rod Lock System

## CHASSIS DETAILS

### 2025 Ford F600 XL

- **Engine:** 6.7L Power Stroke Turbo Diesel – 330 HP & 750 LB-FT
- **Transmission:** Ford TorqShift HD 10-Speed Automatic
- **Gear Ratio:** 4.30 Limited Slip
- **Wheelbase:** 169"
- **Wheels:** Steel
- **GVWR:** 22,000 lbs
- **Front Axle Weight Rating:** 7,500 lbs
- **Rear Axle Weight Rating:** 15,500 lbs
- **Fuel Capacity:** 40 gal

ETC 40 IH - Insulated Articulated Telescopic Ford  
2025 F-600 XL

---



- **CARB Compliant**
- **DOT Inspected**
- **PTO Provision** (Power-Take-Off)
- **Extra Heavy-Duty Suspension For Specific Heavy-Duty Applications**
- Engine Block Heater
- Exhaust Brake
- Chrome Appearance Group
- Rear Differential Lock
- Receiver Hitch Pocket, Trailer Tow-Wire  
Harness & Electrical Light Plug, Holes Drilled  
For Pintle Hitch Mount, Rear View Camera

**PALFINGER**

# ETC 40 IH

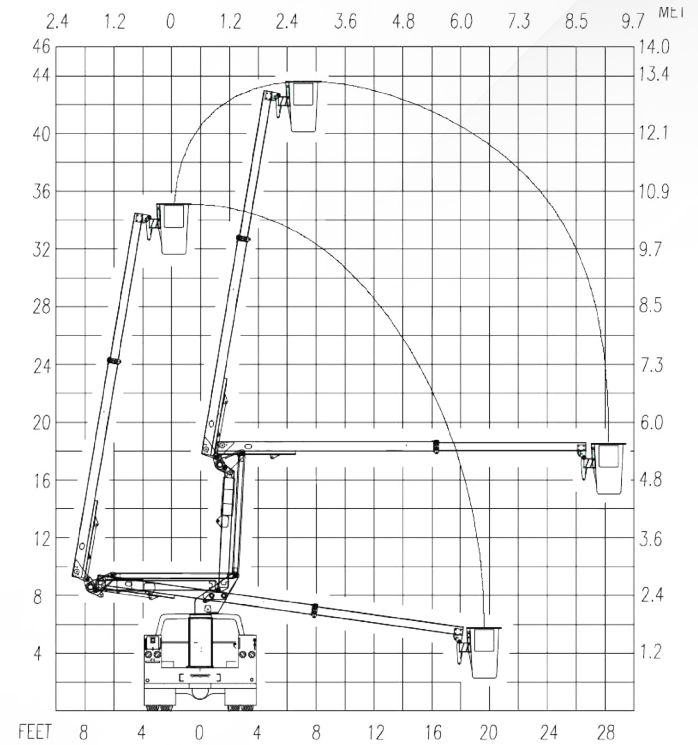
ARTICULATED/TELESCOPIC — INSULATED  
MAXIMUM SIDE REACH



# ETC 40 IH



## OPERATIONAL ZONE



PALFINGER's powerful ETC 40 IH features continuous rotation, single-handle bucket control, in-basket and turret full-pressure hydraulic controls, and manual shear ball rotation. In addition, the 24"x30" bucket offers engine start/ stop and tilt/rescue features.

<b>GENERAL SPECS:</b>	Height to Bottom of Bucket 40'	Working Height 45'	Side Reach End Mount 29' 4"	Stowed Height 10' 4"	Rated Bucket Capacity 400 lbs.			
<b>OPTIONS:</b>	Emergency hydraulic power (12VDC)	Hydraulic tool circuit	Two-speed throttle	Bucket liner	Bucket cover	180° hydraulic bucket rotator	Outrigger options	DC power options, including cab comfort
<b>MINIMUM VEHICLE REQUIREMENTS:</b>	GVWR (dual rear wheels) 19,500 lbs.	GAWR (front) 7,000 lbs.	GAWR (rear) 13,500 lbs.	C.A. 60 in.	ANSI 92.2 Category C 46kV and below			

PALFINGER North America, LLC.

341 Northwest 122nd St | Oklahoma City | Oklahoma | 73114 | +1 888 748 384 | PALFINGER.COM

\*All specifications are based on the 40" frame height and subject to change without notice. Bucket trucks shown in this brochure are partially optional equipped and do not always correspond to the standard version. Country-specific regulations must be observed. Dimensions may vary. Subject to technical changes, errors and translation mistakes.