

ETC 35 SNT - Non-Insulated Articulated



Telescopic Ford 2024 F-450

FORD

ETC 35 SNT - NON-INSULATED ARTICULATED TELESCOPIC

2024 F-450

STOCK NUMBER: 25822

NEW

AVAILABLE



OFFER INFORMATION

Location details

4000 King Air Drive , Bryan, TX, 77808 - United

States 

Dealer Name

Infrastructure Equipment Group



Availability

Available

Product type

New

Stock number

25822

Contact person

Jordan Tuttle

Dealer E-mail

jtuttle@ieg.com

Dealer phone

+1-979-999-9000

\$ 152,500

ETC 35 SNT BUCKET TRUCK

- 2025 Palfinger ETC-35-SNT
- 40 ft Working Height
- 26 ft Side Reach
- Electrical Outlet at Upper Controls
- Side Door Entry on Bucket

BODY DETAILS

- Curb and Street Side Tool Boxes
- Dimensions Pure Sine Inverter
- Ladder Rack

CHASSIS DETAILS

- 2024 Ford F-450
- 4x4
- Diesel
- Power Windows
- Keyless Entry

PALFINGER

ETC 35 SNT

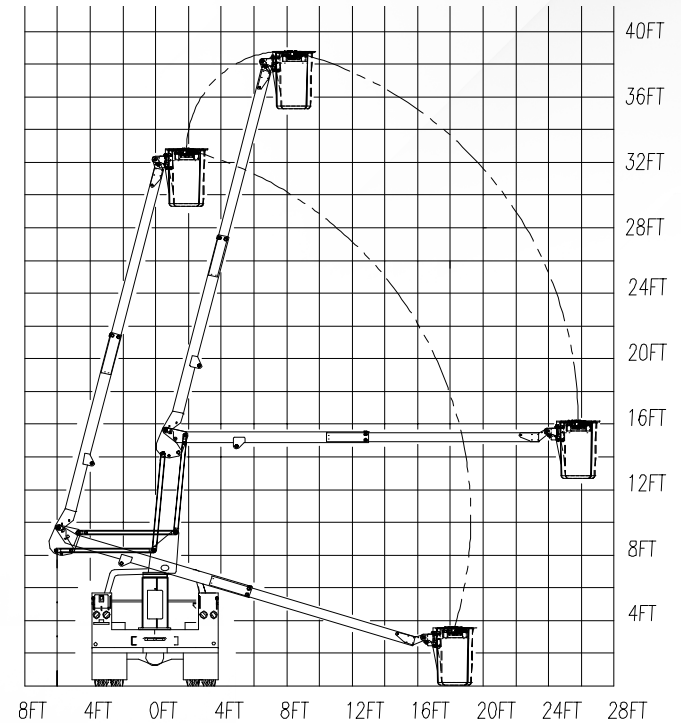
ARTICULATED/TELESCOPIC — NON-INSULATED



ETC 35 SNT



OPERATIONAL ZONE



PALFINGER's non-insulated ETC 35 SNT offers standard 390° non-continuous rotation, emergency upper boom-controlled descent, adjustable wear pads, and replaceable bushings for pins. The 350 lbs. capacity bucket also features engine start/stop, hydraulic leveling, an extended gear-drive shaft for manual rotation, and variable speed controls.

GENERAL SPECS:	Height to Bottom of Bucket 35'	Working Height 40'	Side Reach End Mount 27'	Rotation 390° Non-Continuous	Lower Boom Articulation 0° to 94°	Upper Boom Travel -17° to 74°	Stowed Height 10' 8"	Rated Bucket Capacity 350 lbs.
OPTIONS:	Emergency hydraulic power (12VDC)	Air line to the bucket	Single-handle control	Bucket liner	Bucket cover	180° hydraulic bucket rotator	DC power options, including cab comfort	
MINIMUM VEHICLE REQUIREMENTS:	GVWR (dual rear wheels) 15,000 lbs.	C.A. 60 in.	ANSI Non-Insulated					

PALFINGER North America, LLC.

341 Northwest 122nd St | Oklahoma City | Oklahoma | 73114 | +1 888 748 384 | PALFINGER.COM

*All specifications are based on the 40" frame height and subject to change without notice. Bucket trucks shown in this brochure are partially optional equipped and do not always correspond to the standard version. Country-specific regulations must be observed. Dimensions may vary. Subject to technical changes, errors and translation mistakes.