

FORD

**P 130 A**

**NEW RANGER GSR 2.0**

AVAILABLE

DEMO




## SPECIFICATION

### STANDARD EQUIPMENT

- Fittings for safety belts on basket
- Engine on/off control from the basket
- Manual emergency descent controls
- Electric hour meter
- Planarity check device
- Double access to the basket from the ground
- Outrigger/boom interlock
- Air/water supply to the basket
- Outrigger resting plates with housing on platform floor
- Emergency hand pump
- 12V socket on the basket
- 230 V or 110 V / 16 A socket on the basket
- Test button for signal lights on panels
- Emergency stop buttons
- Magnetic rotating lamp for the vehicle's cab

## OFFER INFORMATION

Location details

Modena, 41122 - Italy 

Dealer Name

Palfinger SRL

Availability

Available

Contact person

Palfinger SRL

Dealer E-mail

[info@palfingerplatformsitaly.it](mailto:info@palfingerplatformsitaly.it)

Dealer phone

**059252426**

- System to signal rotation centering of machine in resting position with signal light and analogue signal
- Flanged lock valves on all cylinders
- Max. pressure valves on hydraulic system

**CONFIGURATION OF THIS UNIT:**

- Fiberglass basket
- Insulation 1000V
- Rotating cage
- Plastic toolboxes

**PRODUCT**

<b>Manufacturer</b>	PALFINGER	<b>Max. height of work</b>	13,00 m
<b>Model</b>	P130 A	<b>Turret rotation</b>	360°
<b>Construction year</b>	2026	<b>Basket capacity</b>	200 kg
		<b>Basket material</b>	Fiberglass

**TRUCK**

<b>Truck manufacturer</b>	FORD	<b>Wheel base</b>	3270
<b>Vehicle type</b>	FORD RANGER E6 3,5 TON	<b>Emmission standard</b>	EURO 6
<b>Drivers cabine</b>	B	<b>Axes</b>	4x4
		<b>Gross vehicle weight</b>	3,5 TON

**PALFINGER**

**P 130 A LOW SMART**

**RELIABILITY,  
SAFETY AND  
PERFORMANCE  
ON ANY TERRAIN**

**LIFETIME EXCELLENCE**



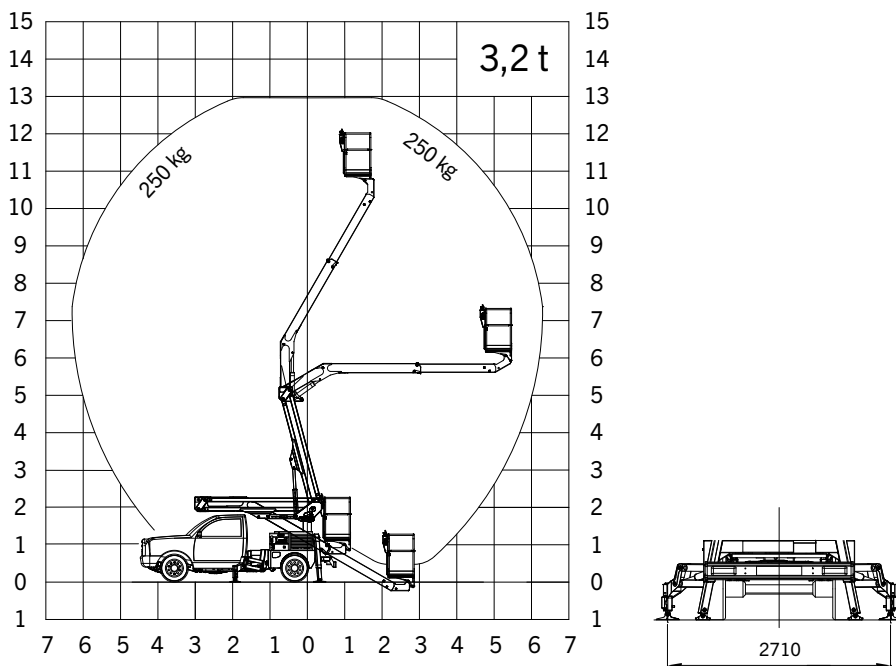
## TECHNICAL SPECIFICATIONS

Maximum working height	13 m
Maximum cage floor	11 m
Maximum lateral outreach	6.3 m
Angle of main boom	-30° + 60°
Turntable rotation	360°
Basket capacity	250 kg
Basket dimensions	1.4 x 0.7 x 1.1 m
Height in transport conditions	2.37 m
Width in transport conditions	1.88 m
Length in transport conditions	5.62 m
Can be driven with a class B license	

## OPTIONAL

Toolbox with rolling shutter
Fiberglass basket
Emergency electropump connected to the battery
Adjustable 60 W headlamp on the basket
Insulation 1000 V
Ladder to climb to the basket in stow position
Bordering
Paint upon request by the client, aerial part

## WORKING DIAGRAMS



## DIMENSIONS



SALES DEALER

**PALFINGER**

**P 130 A LOW SMART**

**AFFIDABILITÀ,  
SICUREZZA E  
PERFORMANCE  
SU QUALSIASI TERRENO**

**LIFETIME EXCELLENCE**



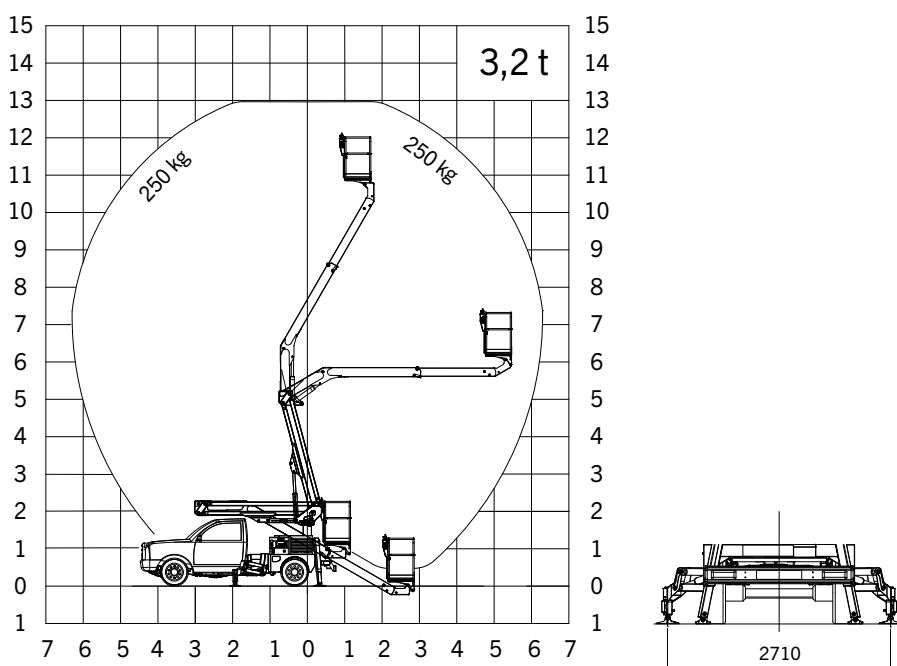
## DATI TECNICI

Altezza massima di lavoro	13 m
Altezza massima piano piattaforma	11 m
Sbraccio laterale massimo	6,3 m
Angolo operativo del braccio di lavoro	-30° + 60°
Rotazione colonna	360°
Portata massima in piattaforma	250 kg
Dimensioni cestello	1,4 x 0,7 x 1,1 m
Altezza in condizioni di marcia	2,37 m
Larghezza in condizioni di marcia	1,88 m
Lunghezza in condizioni di marcia	5,62 m
Conducibile con patente B	

## OPTIONAL

Cassetta porta attrezzi con serranda
Cestello in vetroresina
Elettropompa di emergenza collegata alla batteria
Faro di lavoro orientabile 60 W sul cestello
Isolamento 1000 V
Scaletta accesso al cestello in posizione di trasporto
Spondine
Verniciatura su richiesta del cliente

## DIAGRAMMI DI LAVORO



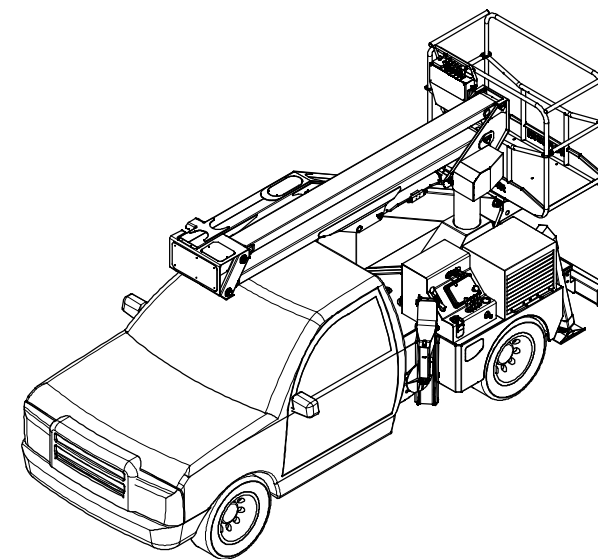
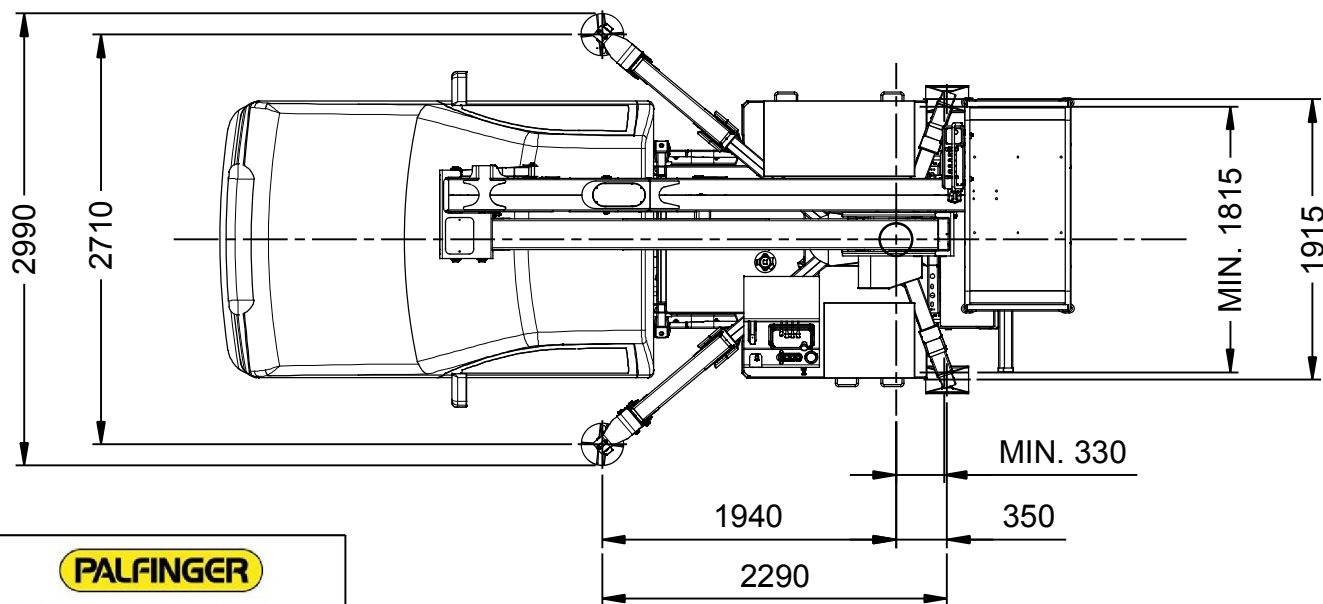
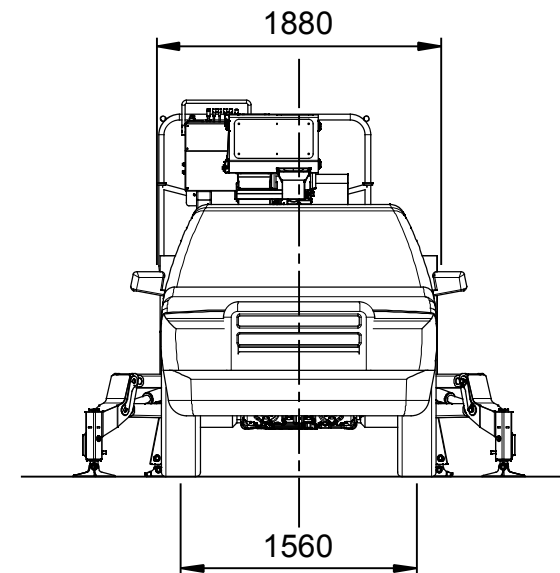
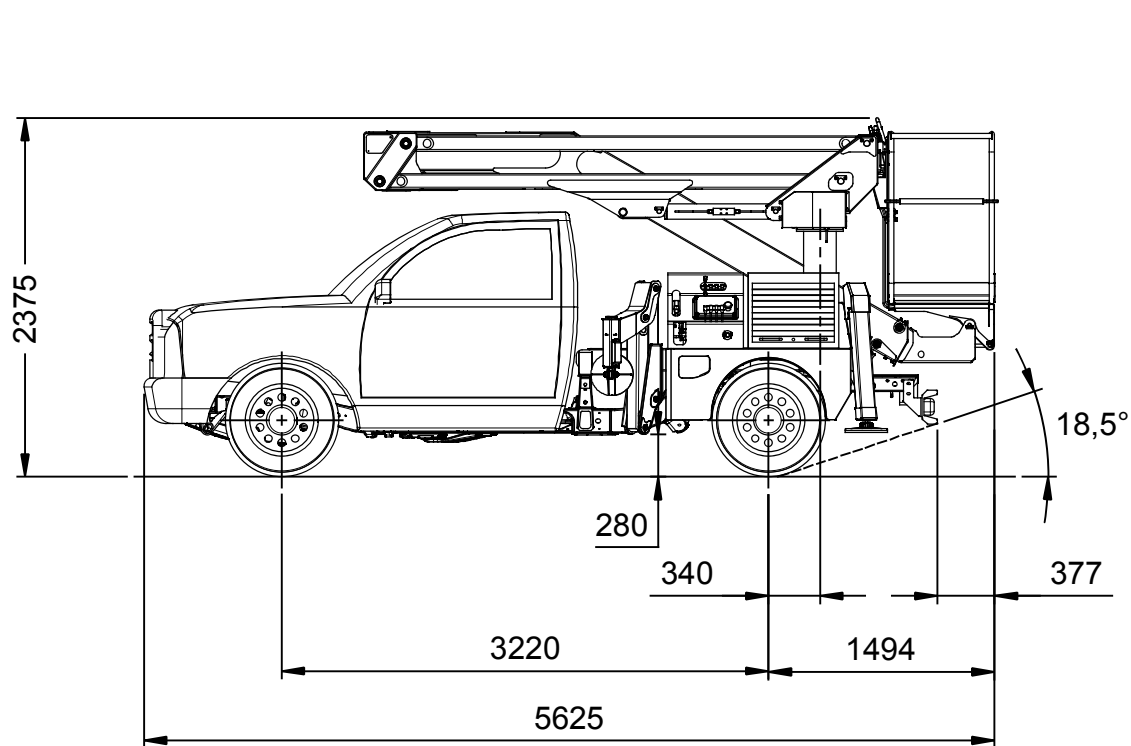
## DIMENSIONI



**PALFINGER**

PALFINGER PLATFORMS ITALY SRL  
 Sede amministrativa e operativa: Via E. DE NICOLA, 31  
 41122 MODENA - ITALY - TEL. +39 (0)59252426  
 EMAIL [info@palfingerplatformsitaly.it](mailto:info@palfingerplatformsitaly.it)  
[www.palfingerplatformsitaly.it](http://www.palfingerplatformsitaly.it)

I dispositivi mostrati nelle foto presentano in alcuni casi allestimenti personalizzati e possono differire dall'allestimento standard. Nella costruzione è necessario rispettare le normative nazionali. Le dimensioni indicate non sono vincolanti. Con riserva di modifiche tecniche, errori ed errori di traduzione.



**PALFINGER**  
Palfinger Platforms Italy s.r.l.

macchina : P 130 A

data : 04 / 05 / 2015

# PLATFORMS | AREA SALES MANAGER



**HEAD OF SALES**  
MICHAEL GRUBÖCK



**LAURA GARAGNANI**  
**Responsible Areas:**  
France, Portugal, Spain, Ireland United Kingdom



**CHRISTIAN BUSCH**  
**Responsible Areas:**  
Switzerland, Slovakia, Hungary, Romania, Bulgaria, Australia, New Zealand, Georgia



**TIMO LENZEN**  
**Responsible Areas:**  
Norway, Sweden, Finland, Island, Denmark, Faroe Islands, Latvia, Lithuania, Estonia, Czech Republic, Poland, Ukraine, Moldova



**ADNAN ISSA**  
**Responsible Areas:**  
Netherlands, Belgium, Luxembourg



**NICOLAS HARTER**  
**Responsible Areas:**  
Slovenia, Croatia, Greece, Cyprus, Serbia, Bosnia, Kosovo, Montenegro, Albania, Macedonia, Israel, Turkey, Georgia, Syria, Lebanon, Jordan, Iraq, Iran, Afghanistan, Saudi Arabia, Kuwait, Bahrain, Qatar, UAE, Oman, Yemen



**NANCY NYAMBURA**  
**Responsible Areas:**  
Africa



**JOHANN POSCHNER**  
**Responsible Areas:**  
Germany, Austria



**ALFREDO CAREDDU**  
**Responsible Areas:**  
Italy, Malta

