

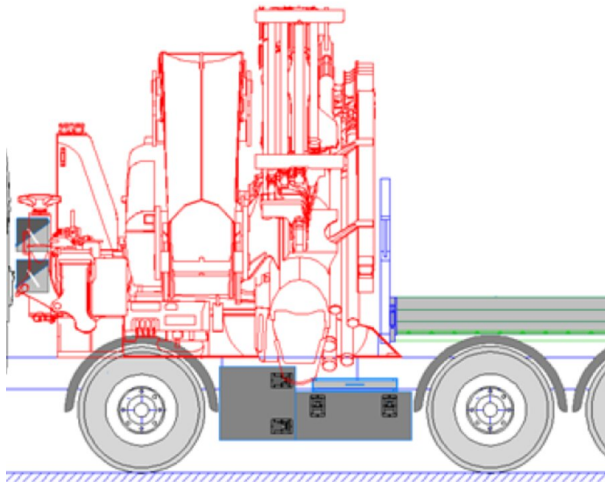
SCANIA

PK 1350 TEC

R 560 B8X4 NB

CONTRACT NUMBER: PALDRIVE 693

NEW **ON REQUEST**



OFFER INFORMATION

Location details

MCC-NORTH SOLEC, 86-050 - Poland 

Dealer Name

Palfinger EMEA GmbH **PALFINGER**

Availability

On request

Product type

New

Contract number

Paldrive 693

Dealer E-mail

sales@palfinger.com

Dealer phone

004366488345792

SPECIFICATION

All images are from a reference project



PK 1350 TEC

| | |
|------------------------------------|-----------|
| lifting moment | 109,3 mt |
| max. outreach incl. Fly-Jib | 34,4 m |
| max. lifting capacity | 30.000 Kg |
| swivel range | endless |
| rope which type | 3,5to |



INSTALLATION

low built platform

| | |
|-------------------------|----------------------|
| Platform length | 4.600 mm |
| Platform width | 2.480 mm |
| Frontwall height | 1.400 mm |
| Side- & rearwall height | 400 mm |
| Loading height | 1.180 mm |
| Platform floor | plywood, impregnated |

Prior sale and changes reserved!

Print date: Apr 30, 2026, 5:56:59 AM



SCANIA R560 B8X4 NB

| | |
|--------------------------|--------------------|
| construction year | 2026 |
| power | 560 Hp |
| gearbox | G33CM + Opticruise |
| main Wheelbase | 4.950 mm |
| cabin | CR20N |
| GSR II options | yes |

PRODUCT

| | | | |
|---------------------|-------------|---------------------------------|-------------------|
| Manufacturer | Palfinger | Lifting moment | 109,3 mt |
| Model | PK 1350 TEC | Outreach / Lifting power | 34,4 m / 1.280 Kg |
| | | Max outreach | 34,4 m |

TRUCK

| | | | |
|---------------------------|--------|-----------------------------|------------------|
| Truck manufacturer | Scania | Axes | 8x4 |
| Drivers cabine | CR20N | Gross vehicle weight | 32.000 Kg |
| Power | 560 PS | Dead weight | 29.000 Kg |
| Emmission standard | EURO 6 | Payload | 3.000 Kg |
| | | Construction | Heavy duty crane |

PK 1350 TEC

HYDRAULIC & TECHNICS

- 9 hydraulic boom extensions (H)
- High-speed boom extension system with return oil recovery
- Swivel range endless
- Hydraulic support leg extension (max.support width 10.000mm)
- Support leg (right hand side) can be swiveled hydraulically through 180°
- Additional hydraulic support stabilizers
- Hose equipment for two additional devices including quick coupling (multi-faster)
- 3,5to cable winch on the main arm (hydr. foldable)
- Rope length: 90m

ASSISTANCE SYSTEMS

- Paltronic 180
- HPSC + LOAD
- Remote controlled stabilizers
- CPS (cabin protection)
- FPS (Frame Protection System)
- P-FOLD (Folding Assistant)
- Weigh function
- AOS (Active Oscillation Suppression)
- SRC (Synchronised Rope Control)
- RTC (Rope Tension Control)

EQUIPMENT

- Palfinger P6 radio remote control /9 functions with cross levers
- LED - working light on the articulated arm
- 11,5to load hook
- 2 strand rope equipment on the Crane
- MFA-L (multifunctional adapter)
- Painting RAL3020

PJ 190

CONFIGURATION

- 6 hydraulic extensions (E)
- High-speed extension system with return oil recovery
- Hydr. tiltable upwards by 25°
- 1 strand rope equipment for the PJ 190
- LED-working light at the PJ 190
- PJMFA - Multifunctional adapter
- Hose equipment for two additional devices including quick coupling (multi-faster)



- hydraulic oil tank 400 l

INSTALLATION

- Palfinger MCC low build platform
- Platform inner dimensions: 4.600 mm x 2.480 mm
- Front wall: height 1.400 mm
- Side- and rearwalls height: 400 mm
- Platform floor 27 mm plywood, impregnated and sealed
- Various lashing options on the platform floor
- Loading height: 1.180 mm
- 1 pair of Container locks rigid
- 6 working lights
- 2 reversing lights
- Rear view camera
- Trailer coupling: RF40 G 150 A
- 2 wheel chocks

SCANIA R560 B8X4 NB

- Engine: 560 Hp, torque max. 2.800 Nm
- Gearbox: G33CM + Opticruise + retarder
- Axle distance: 1.990mm 2.960mm + 1.350mm
- air suspension on all axles
- Fuel tank 395l / AD-Blue 80l
- Tires 1st & 2nd axle: 385/65 R22.5
- Tires driven axles: 315/80 R22.5
- Rims on all axles: aluminium Alcoa DuraBright
- Cabin colour: Scania Ivory White / chassis colour: Scania Sub Grey
- Cabin type: CR20N
- Premium Cabin interior
- auxiliary heating: 3kW
- Multifunctional steering wheel



- Infotainment system equipped with 10.1-inch colour display