

MAN

P 370 KS

MAN TGM 18.290 4X2 BB

NEW

IN PRODUCTION




SPECIFICATION

- Robust, 2m wider aluminium workman basket with 500kg load capacity and integrated Powerlift support
- Flat sub-construction under the cage enabling best possible target reach
- Operator information and guidance systems via display in the truck cabin and the Premium control panel
- Fully variable jacking for exact stabilizer positioning
- 1000mm stroke to compensate rough terrain
- Automatic set-up with adaptive levelling
- Counter slew-system permits extremely compact dimensions
- Rotation within mirror-width of the vehicle
- Time-saving outrigger control via automatic set-up from the ground

OFFER INFORMATION

Location details

Modena, 41122 - Italy 

Dealer Name

Palfinger SRL

Available from

31.05.2026

Product type

New

Contact person

Palfinger SRL

Dealer E-mail

info@palfingerplatformsitaly.it

Dealer phone

059252426

-
- Foldable rear crash protection increases slope angle
 - Range optimisation through continuous processing of outrigger position, inclination and basket load
 - Maximum speed, start and stop ramps individually adjustable
 - Easy-to-use electronic emergency operation of all platform functions via display
 - Diagnostic tools such as PALDIAG.CMI, Palfinger APP and QR-Code

PRODUCT

Manufacturer	PALFINGER	Turret rotation	500°
Model	P 370 KS	Basket size	2,00 x 0,80 x 1,10 m
Construction year	2026	Basket capacity	500 kg
Outreach	31,5 m	Basket arm angle	185°
Max. height of work	37,0 m	Basket material	Aluminium

TRUCK

Truck manufacturer	MAN	Power	213 kW / 290 PS
Vehicle type	TGM 18.290	Emmission standard	Euro 6
Drivers cabine	C	Axes	4x2
Wheel base	4.425 mm	Gross vehicle weight	18.000 kg

Working diagrams

Palfinger P 370KS

on

MAN 18.XXX 16t

The working diagrams shown below have the following preconditions:

Solid line:

Standard working diagram

Working height = height of basket bottom + 2.0 m

The basket is in basic position (not turned) and retracted

The following applies generally:

All specifications refer to standard aluminum basket without additional equipment

Maximum inclination 0,5°

Set-up inclination is max. 2° with automatic range adjustment.

Note on working diagram:

Additional attachments that deviate from the standard reduce range and basket load

Special baskets have different ranges

Reach at plastic workman basket ~ 0,8m reduced

Permitted maximum basket load according to technical description

The outreaches are approximate dimensions and depend on the chassis, the type of support and the lifting platform's additional equipment.

Illustrations of truck and unit are only of symbolic nature and do not allow any conclusions regarding technical design.

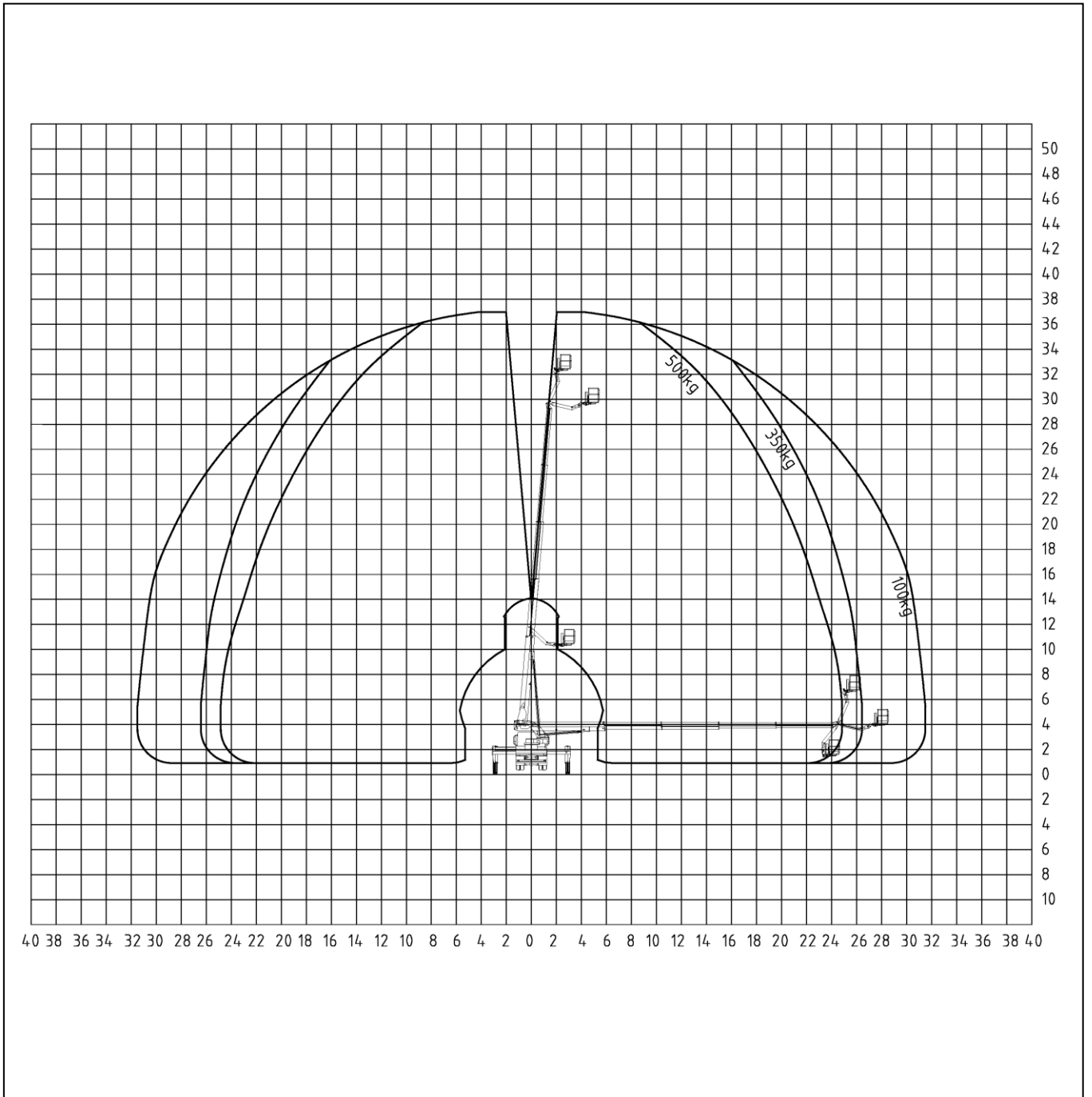
Subject to technical change!

Palfinger P 370KS

Rear view

Extension of stabiliser
outrigger

Front left	100%
Front right	100%
Rear left	100%
Rear right	100%

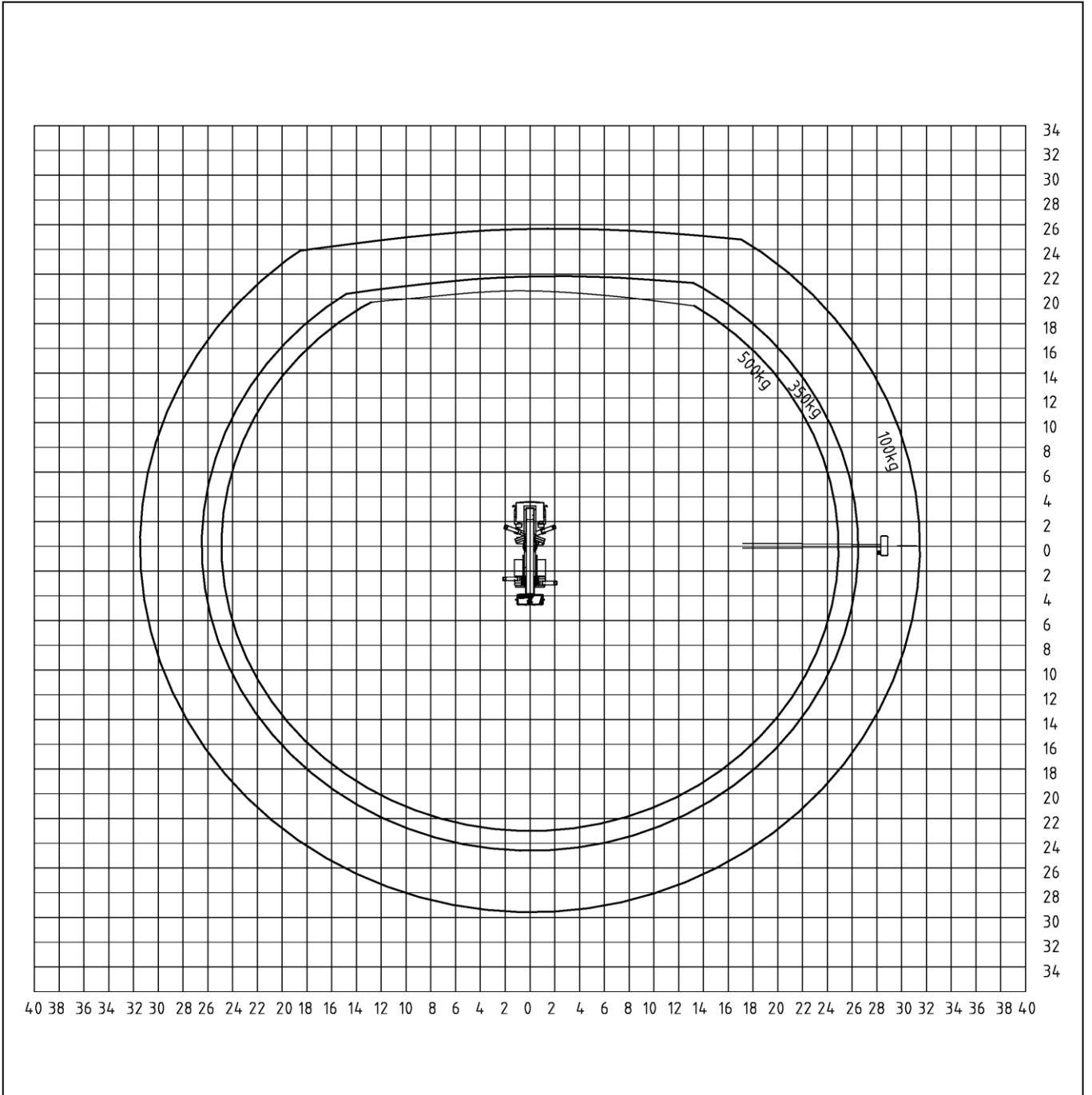


Palfinger P 370KS

Top view

Extension of stabiliser
outrigger

Front left	100%
Front right	100%
Rear left	100%
Rear right	100%

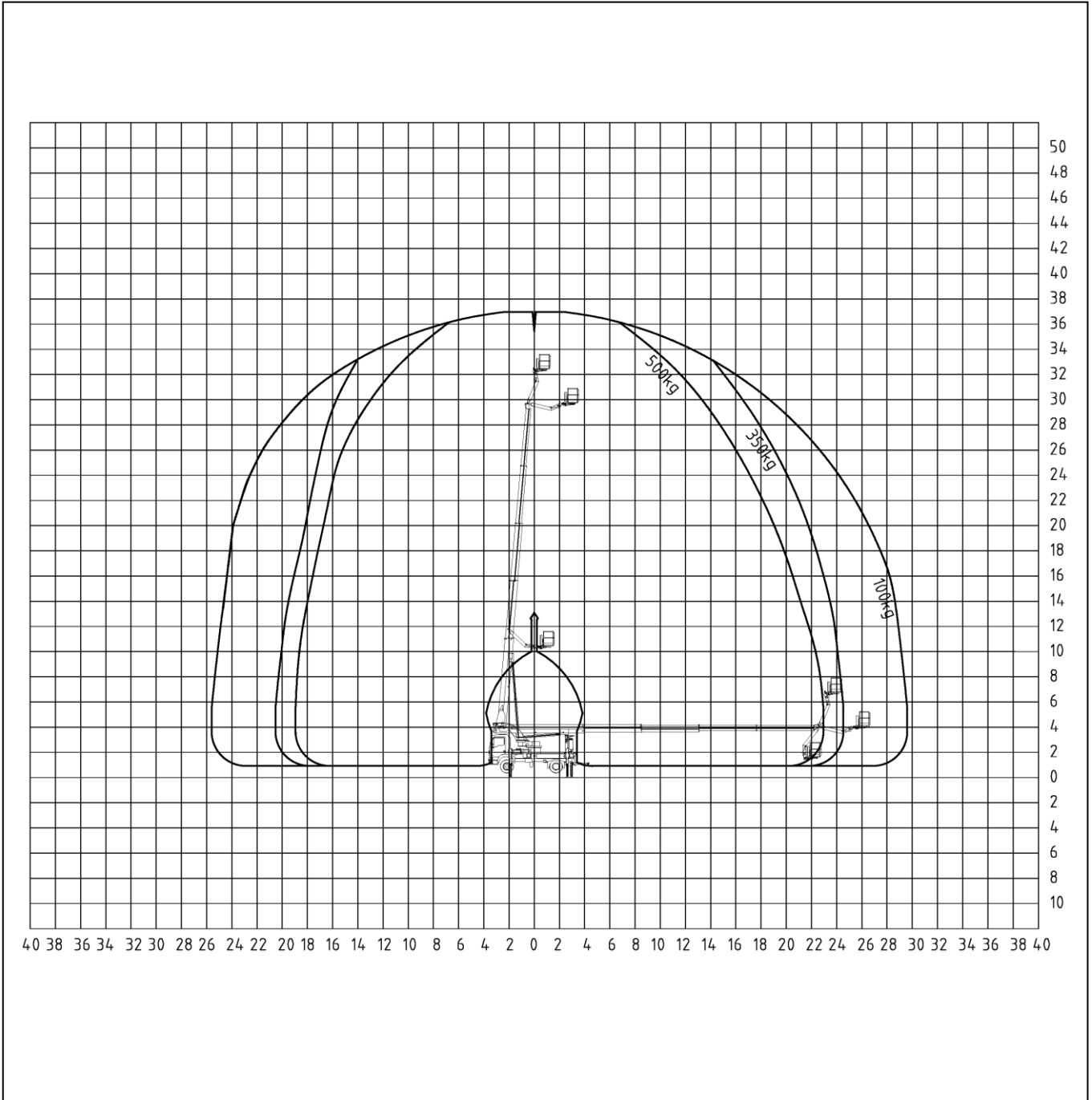


Palfinger P 370KS

Left view

Extension of stabiliser
outrigger

Front left	100%
Front right	100%
Rear left	100%
Rear right	100%

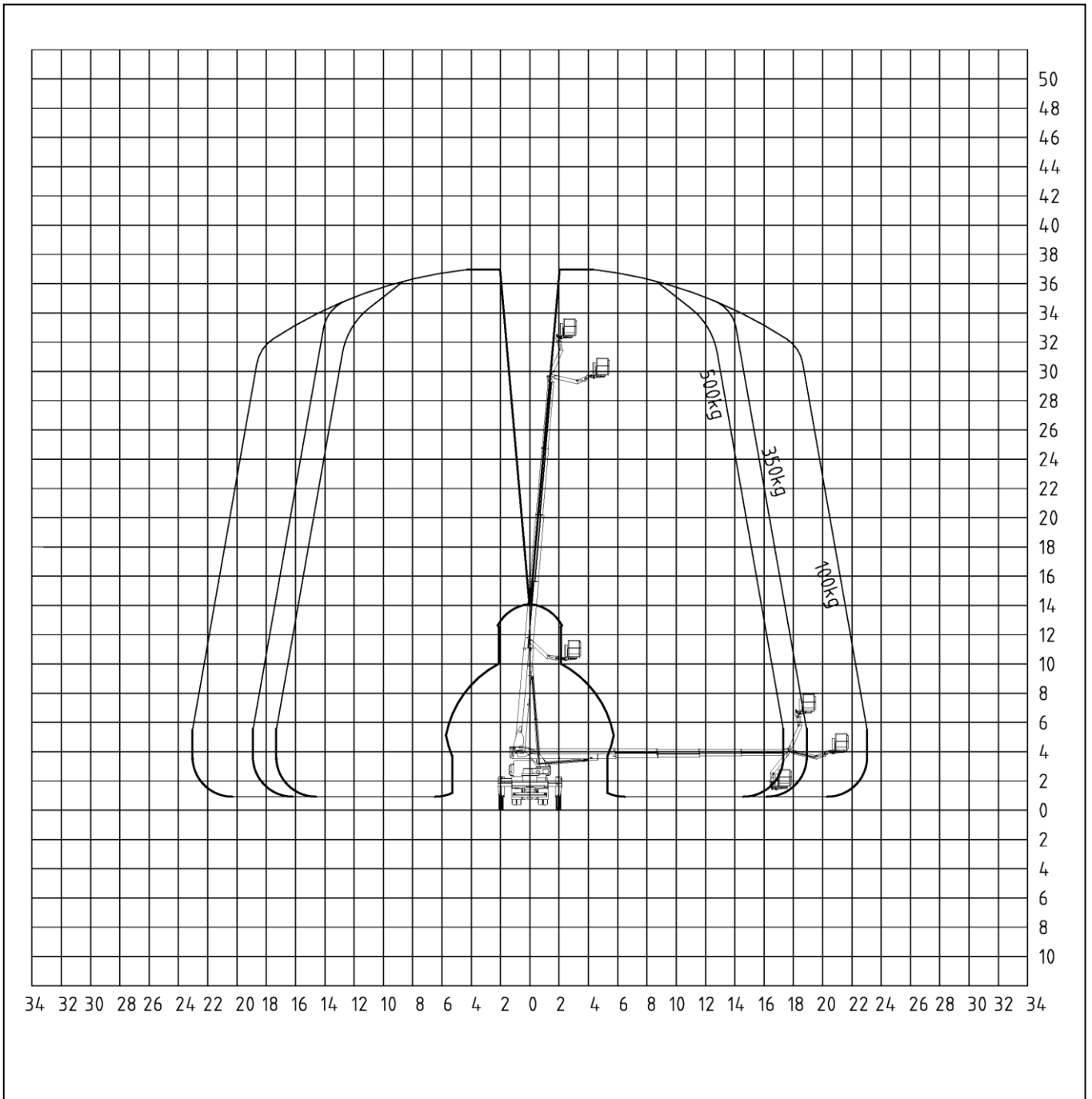


Palfinger P 370KS

Rear view

Extension of stabiliser
outrigger

Front left	50%
Front right	50%
Rear left	50%
Rear right	50%

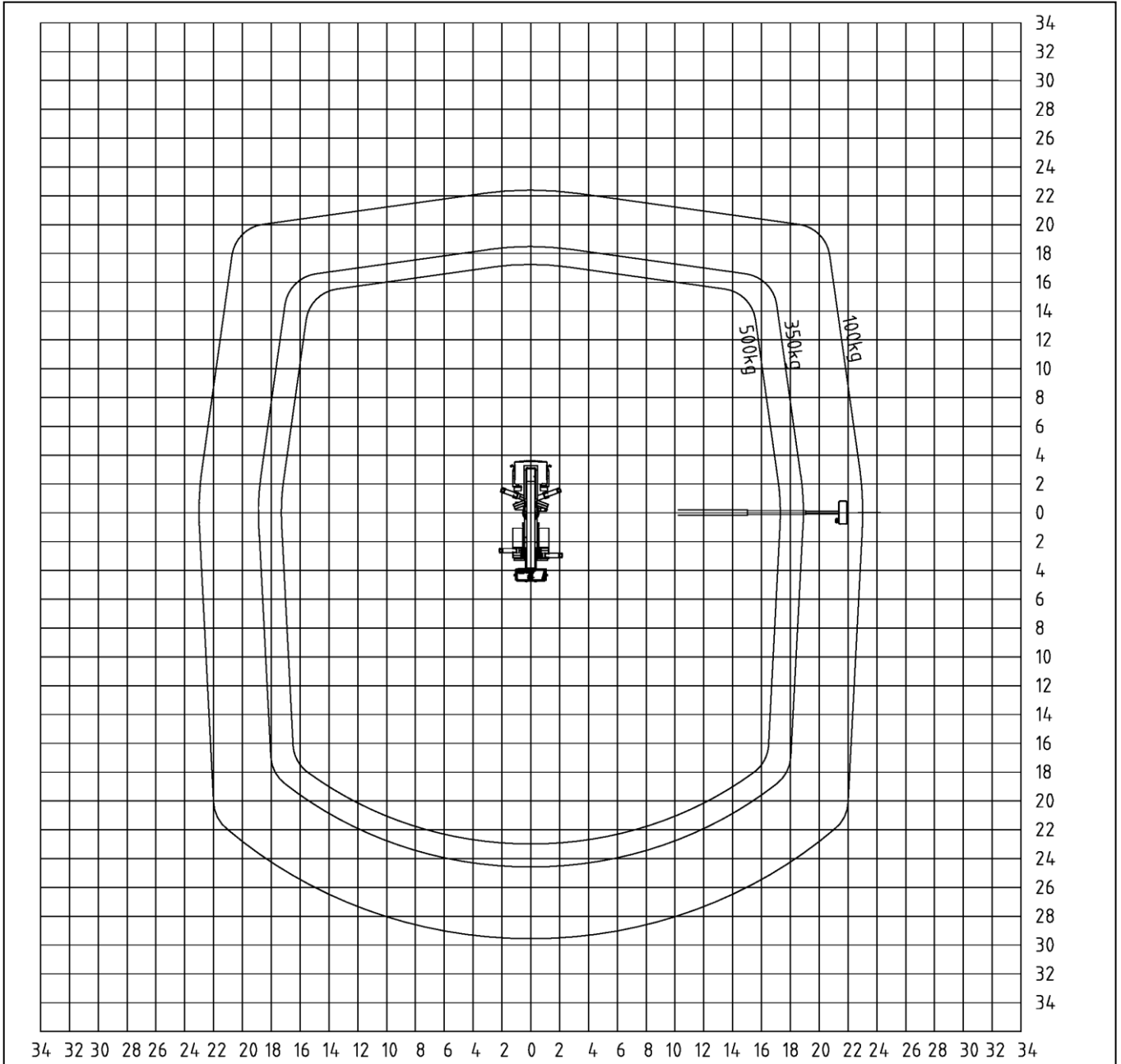


Palfinger P 370KS

Top view

Extension of stabiliser
outrigger

- Front left 50%
- Front right 50%
- Rear left 50%
- Rear right 50%

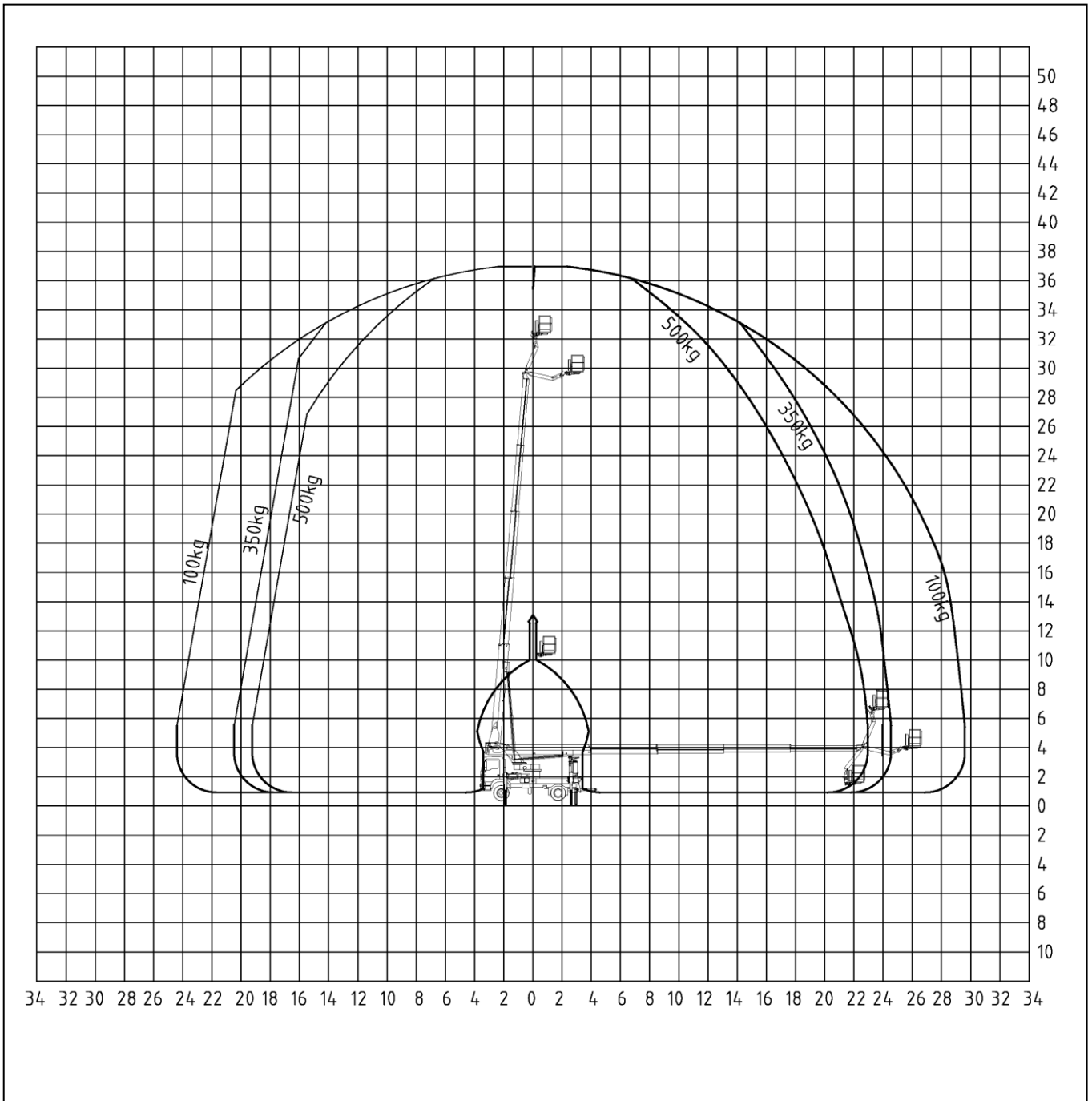


Palfinger P 370KS

Left view

Extension of stabiliser
outrigger

Front left	50%
Front right	50%
Rear left	50%
Rear right	50%

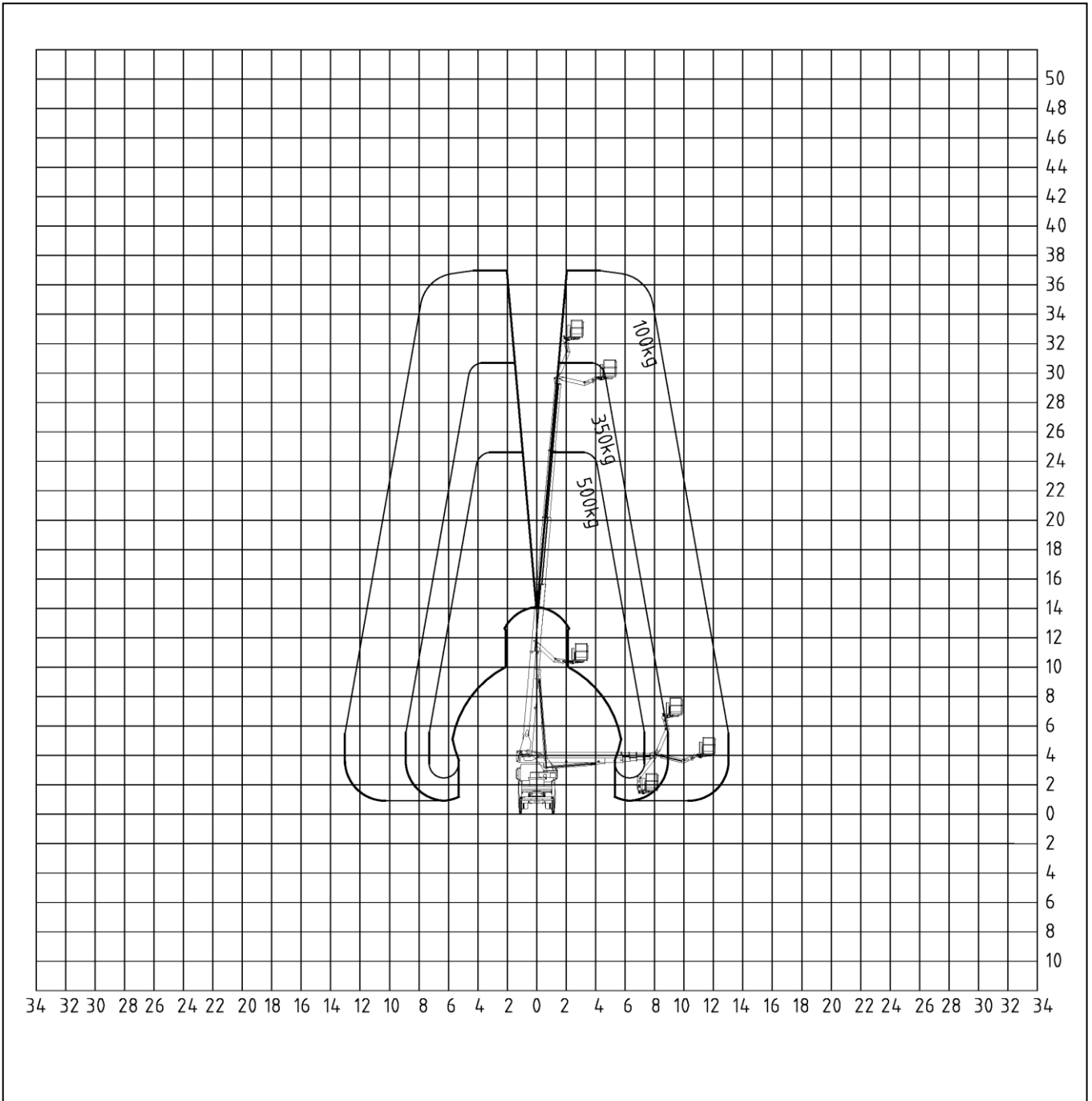


Palfinger P 370KS

Rear view

Extension of stabiliser
outrigger

Front left	0%
Front right	0%
Rear left	0%
Rear right	0%

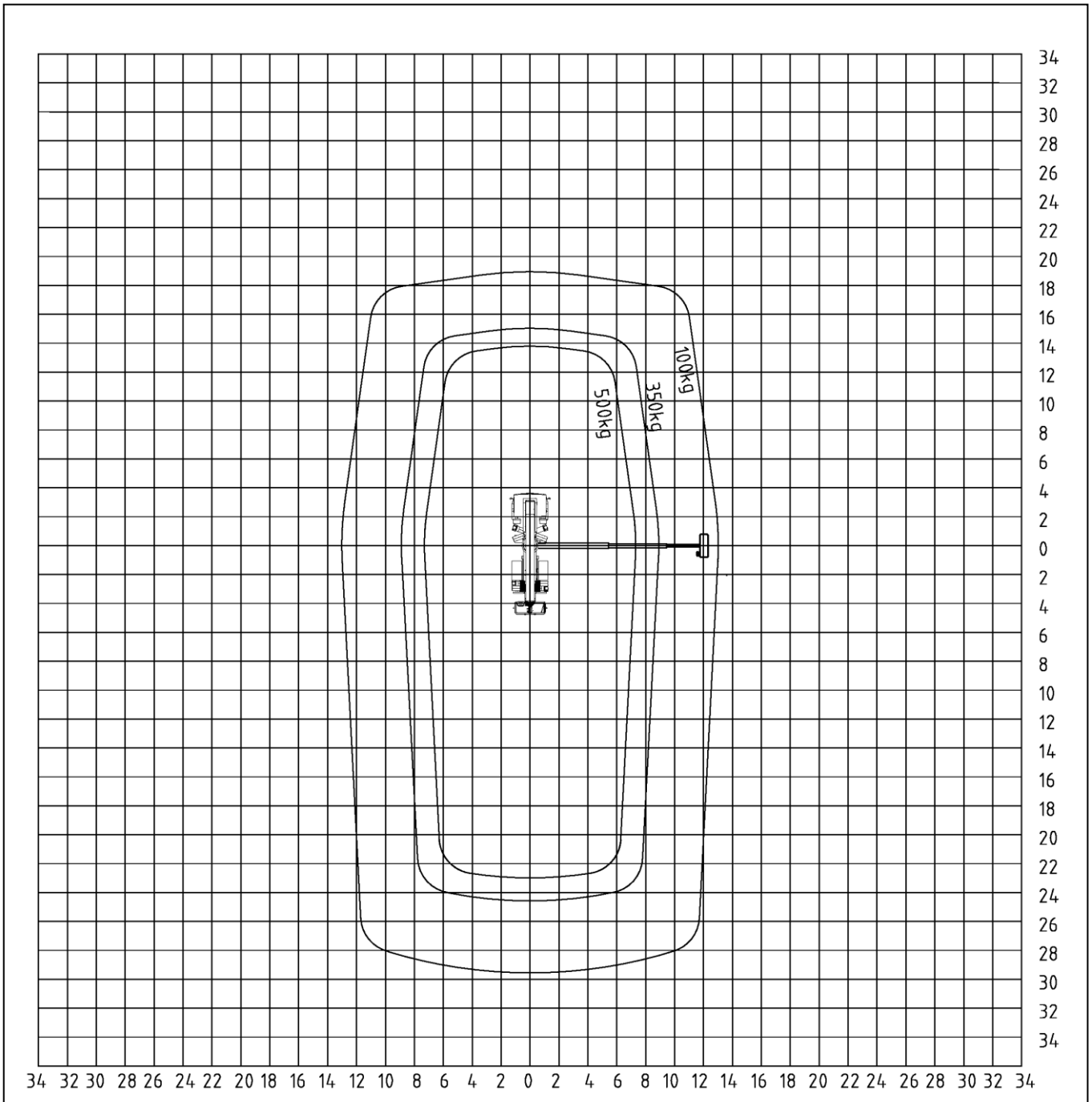


Palfinger P 370KS

Top view

Extension of stabiliser
outrigger

Front left	0%
Front right	0%
Rear left	0%
Rear right	0%



Palfinger P 370KS

Left view

Extension of stabiliser
outrigger

Front left	0%
Front right	0%
Rear left	0%
Rear right	0%

