

FORD

P 130 A

NEW RANGER GSR 2.0

AVAILABLE

DEMO




DESCRIPTION

STANDARD EQUIPMENT

- Fittings for safety belts on basket
- Engine on/off control from the basket
- Manual emergency descent controls
- Electric hour meter
- Planarity check device
- Double access to the basket from the ground
- Outrigger/boom interlock
- Air/water supply to the basket
- Outrigger resting plates with housing on platform floor
- Emergency hand pump
- 12V socket on the basket
- 230 V or 110 V / 16 A socket on the basket
- Test button for signal lights on panels
- Emergency stop buttons
- Magnetic rotating lamp for the vehicle's cab

OFFER INFORMATION

Location details

Modena, 41122 - Italy 

Dealer Name

Palfinger SRL

Availability

Available

Contact person

Palfinger SRL

Dealer E-mail

info@palfingerplatformsitaly.it

Dealer phone

059252426

- System to signal rotation centering of machine in resting position with signal light and analogue signal
- Flanged lock valves on all cylinders
- Max. pressure valves on hydraulic system

CONFIGURATION OF THIS UNIT:

- Fiberglass basket
- Insulation 1000V
- Rotating cage
- Plastic toolboxes

PRODUCT

Manufacturer	PALFINGER	Max. height of work	13,00 m
Model	P130 A	Turret rotation	360°
Construction year	2026	Basket capacity	200 kg
		Basket material	Fiberglass

TRUCK

Truck manufacturer	FORD	Wheel base	3270
Vehicle type	FORD RANGER E6 3,5 TON	Emmission standard	EURO 6
Drivers cabine	B	Axes	4x4
		Gross vehicle weight	3,5 TON

PALFINGER

P 130 A LOW SMART

**RELIABILITY,
SAFETY AND
PERFORMANCE
ON ANY TERRAIN**

LIFETIME EXCELLENCE



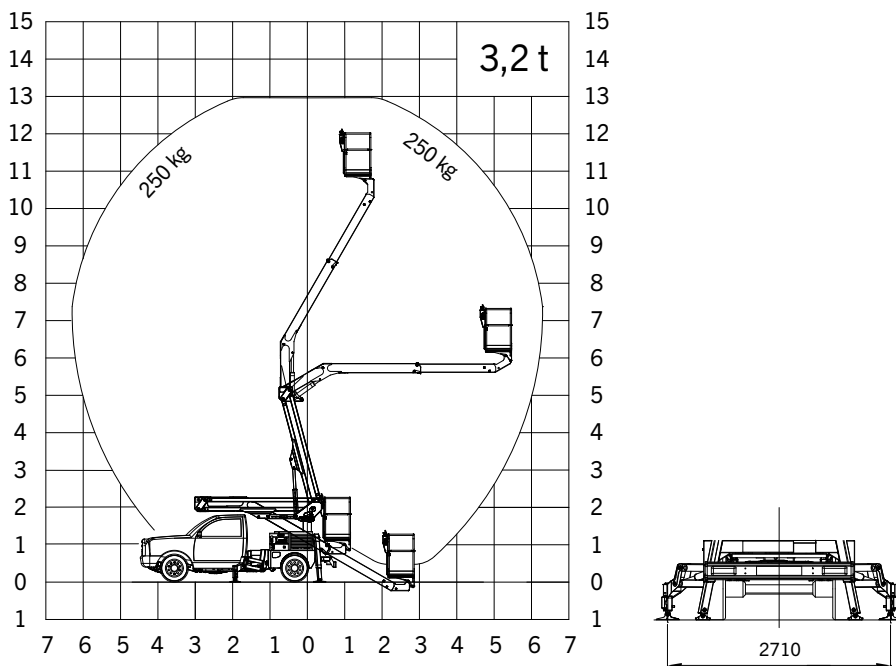
TECHNICAL SPECIFICATIONS

Maximum working height	13 m
Maximum cage floor	11 m
Maximum lateral outreach	6.3 m
Angle of main boom	-30° + 60°
Turntable rotation	360°
Basket capacity	250 kg
Basket dimensions	1.4 x 0.7 x 1.1 m
Height in transport conditions	2.37 m
Width in transport conditions	1.88 m
Length in transport conditions	5.62 m
Can be driven with a class B license	

OPTIONAL

Toolbox with rolling shutter
Fiberglass basket
Emergency electropump connected to the battery
Adjustable 60 W headlamp on the basket
Insulation 1000 V
Ladder to climb to the basket in stow position
Bordering
Paint upon request by the client, aerial part

WORKING DIAGRAMS



DIMENSIONS



SALES DEALER

PALFINGER

P 130 A LOW SMART

**AFFIDABILITÀ,
SICUREZZA E
PERFORMANCE
SU QUALSIASI TERRENO**

LIFETIME EXCELLENCE



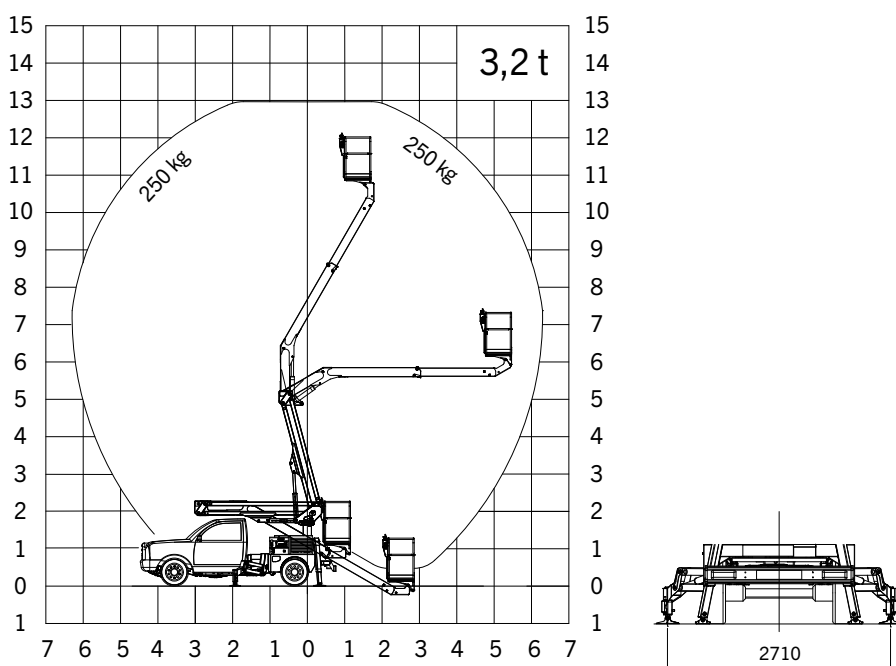
DATI TECNICI

Altezza massima di lavoro	13 m
Altezza massima piano piattaforma	11 m
Sbraccio laterale massimo	6,3 m
Angolo operativo del braccio di lavoro	-30° + 60°
Rotazione colonna	360°
Portata massima in piattaforma	250 kg
Dimensioni cestello	1,4 x 0,7 x 1,1 m
Altezza in condizioni di marcia	2,37 m
Larghezza in condizioni di marcia	1,88 m
Lunghezza in condizioni di marcia	5,62 m
Conducibile con patente B	

OPTIONAL

Cassetta porta attrezzi con serranda
Cestello in vetroresina
Elettropompa di emergenza collegata alla batteria
Faro di lavoro orientabile 60 W sul cestello
Isolamento 1000 V
Scaletta accesso al cestello in posizione di trasporto
Spondine
Verniciatura su richiesta del cliente

DIAGRAMMI DI LAVORO



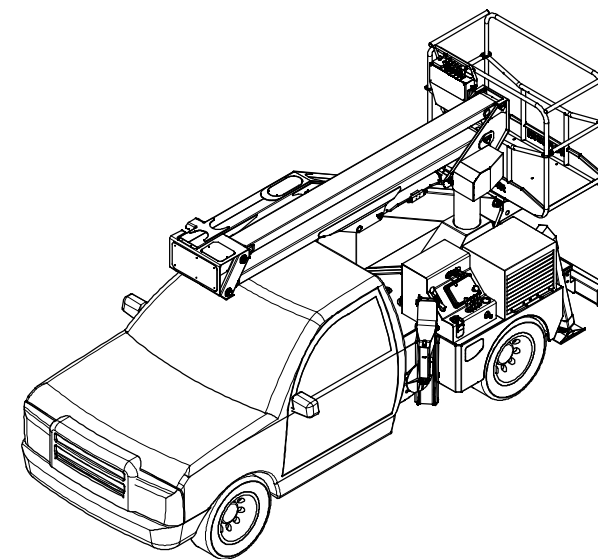
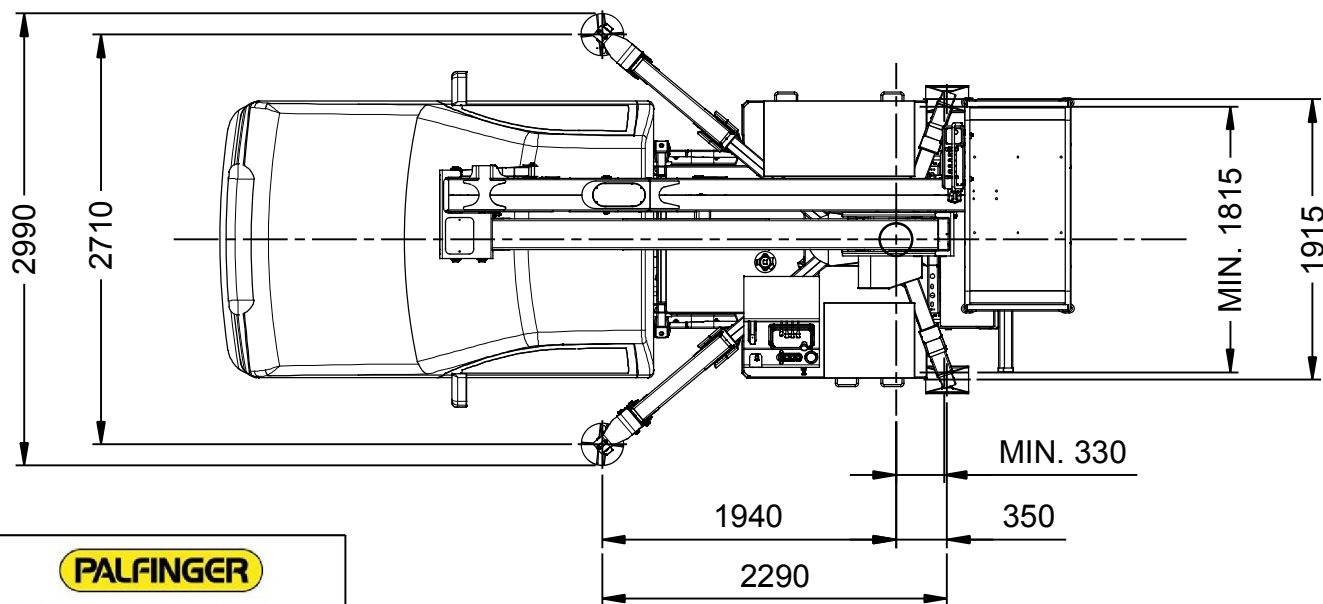
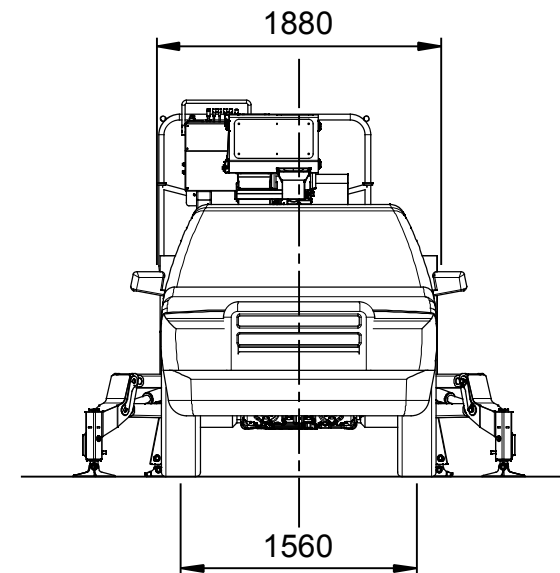
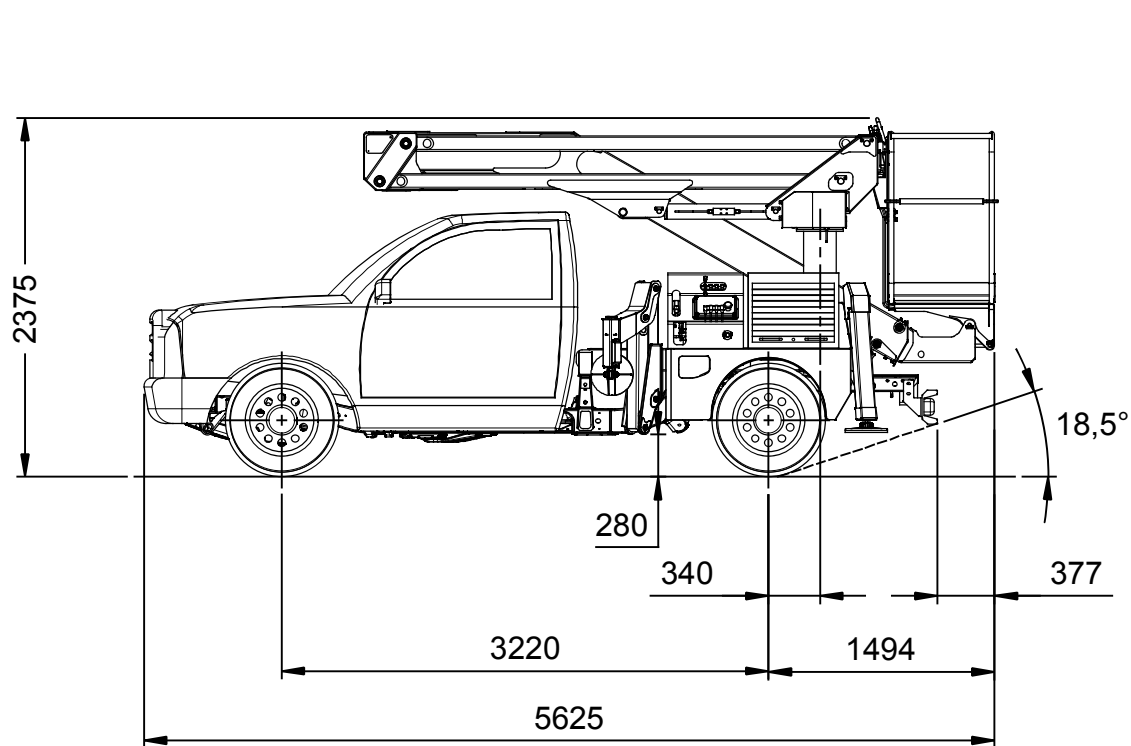
DIMENSIONI



PALFINGER

PALFINGER PLATFORMS ITALY SRL
 Sede amministrativa e operativa: Via E. DE NICOLA, 31
 41122 MODENA - ITALY - TEL. +39 (0)59252426
 EMAIL info@palfingerplatformsitaly.it
www.palfingerplatformsitaly.it

I dispositivi mostrati nelle foto presentano in alcuni casi allestimenti personalizzati e possono differire dall'allestimento standard. Nella costruzione è necessario rispettare le normative nazionali. Le dimensioni indicate non sono vincolanti. Con riserva di modifiche tecniche, errori ed errori di traduzione.



PALFINGER
Palfinger Platforms Italy s.r.l.

macchina : P 130 A

data : 04 / 05 / 2015

PLATFORMS | AREA SALES MANAGER



HEAD OF SALES
MICHAEL GRUBÖCK



LAURA GARAGNANI
Responsible Areas:
France, Portugal, Spain, Ireland United Kingdom



CHRISTIAN BUSCH
Responsible Areas:
Switzerland, Slovakia, Hungary, Romania, Bulgaria, Australia, New Zealand, Georgia



TIMO LENZEN
Responsible Areas:
Norway, Sweden, Finland, Island, Denmark, Faroe Islands, Latvia, Lithuania, Estonia, Czech Republic, Poland, Ukraine, Moldova



ADNAN ISSA
Responsible Areas:
Netherlands, Belgium, Luxembourg



NICOLAS HARTER
Responsible Areas:
Slovenia, Croatia, Greece, Cyprus, Serbia, Bosnia, Kosovo, Montenegro, Albania, Macedonia, Israel, Turkey, Georgia, Syria, Lebanon, Jordan, Iraq, Iran, Afghanistan, Saudi Arabia, Kuwait, Bahrain, Qatar, UAE, Oman, Yemen



NANCY NYAMBURA
Responsible Areas:
Africa



JOHANN POSCHNER
Responsible Areas:
Germany, Austria



ALFREDO CAREDDU
Responsible Areas:
Italy, Malta

