

MAN

**PD143V**

**TGE 6.160 4X2 SB**

AUFTRAGSNUMMER: 196002179

VORFÜHRER

AUF ANFRAGE



## INFORMATIONEN ZUM ANGEBOT

Montage- & Besichtigungsstandort

Vorführungen, Deutschland 

Verkaufsabwicklung und Auslieferung durch Händler:

PALFINGER GmbH

Verfügbarkeit

Auf Anfrage

Produktzustand

Vorführer

Auftragsnummer

196002179

Kontaktperson

Tobias Zehentmeier

E-Mail

t.zehentmeier@palfinger.com

Telefonnummer

004986544774141

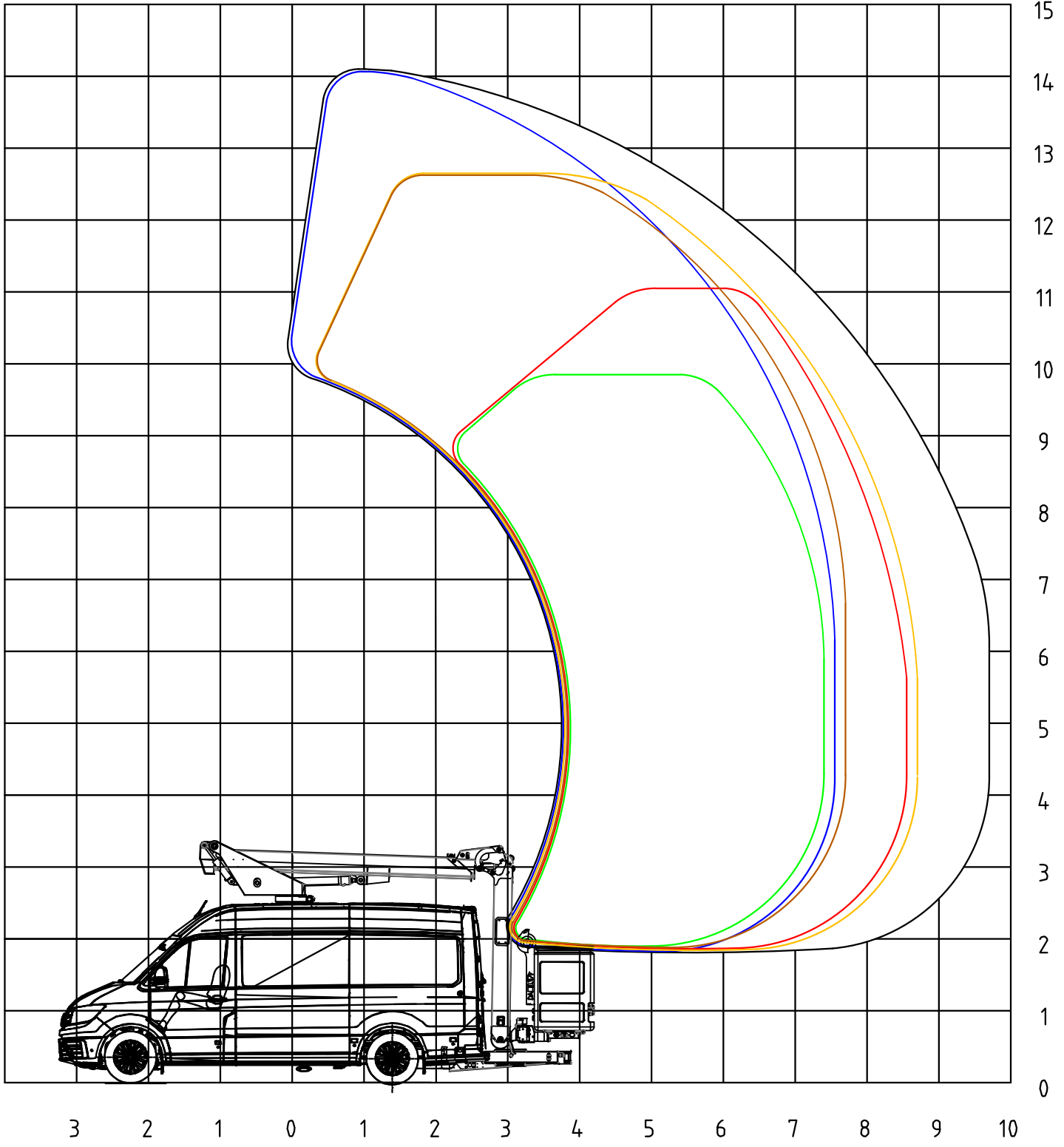
**PRODUKT**

|                    |                         |                    |                      |
|--------------------|-------------------------|--------------------|----------------------|
| <b>Hersteller</b>  | Palfinger / Danilift DK | <b>Drehbereich</b> | 2x 230 °             |
| <b>Baujahr</b>     | 2025                    | <b>Korbgröße</b>   | 0.8 x 1.2 x 1.1 mtr. |
| <b>Reichweite</b>  | 9,70 m                  | <b>Korblast</b>    | 265kg                |
| <b>Arbeitshöhe</b> | 14,30 m                 |                    |                      |

**FAHRZEUG**

|                              |                  |                                 |            |
|------------------------------|------------------|---------------------------------|------------|
| <b>LKW Hersteller</b>        | MAN              | <b>Leistung</b>                 | 160 PS     |
| <b>Fahrzeugtyp</b>           | TGE 6.160 4X2 SB | <b>Zulässiges Gesamtgewicht</b> | 5,0 to     |
| <b>Baujahr</b>               | 2025             | <b>Erstzulassung</b>            | 25.03.2026 |
| <b>Amtliches Kennzeichen</b> | BGL- V179        |                                 |            |

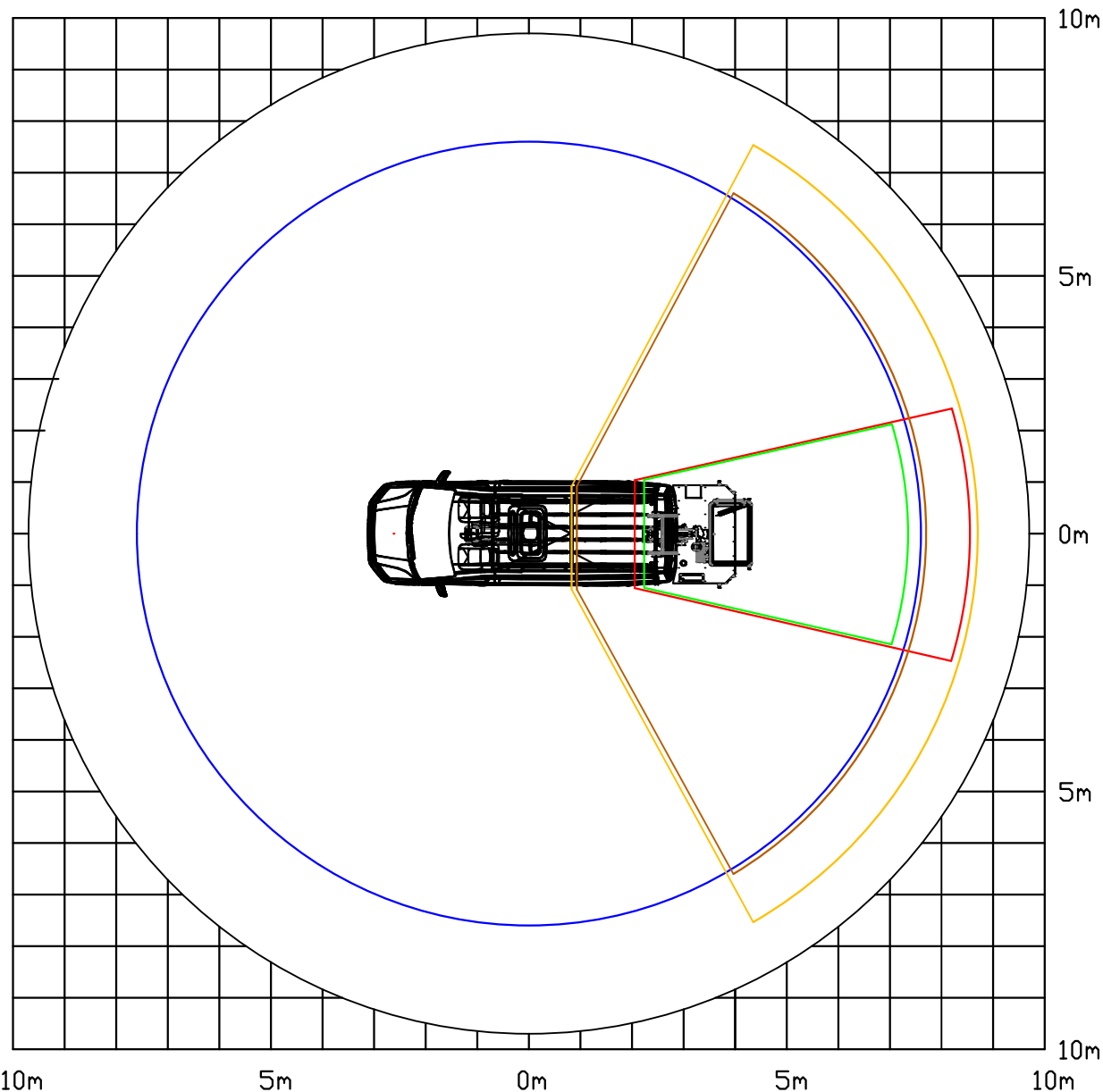
1 METER



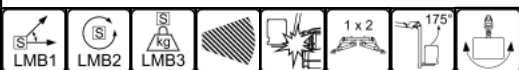
- WORKING WITH OUTRIGGERS, CAGE LOAD 100 KG
- WORKING WITH OUTRIGGERS, CAGE LOAD 265 KG
- WORKING WITHOUT OUTRIGGERS, CAGE LOAD 100KG
- WORKING WITHOUT OUTRIGGERS, CAGE LOAD 265 KG
- WORKING WITH LS OUTRIGGERS, CAGE LOAD 100KG
- WORKING WITH LS OUTRIGGERS, CAGE LOAD 265 KG



|                              |                     |              |                                |   |                     |                    |
|------------------------------|---------------------|--------------|--------------------------------|---|---------------------|--------------------|
| <br>Palfinger Platforms GmbH | PLATFORM: PALFINGER | TYPE: PD143V | EQUIPMENT:<br>----             | DWG BY:<br>StefanRytter   | DATE:<br>23.01.2026 | REV:<br>23.01.2026 |
|                              | VEHICLE: MAN TGE    | TYPE: 6.160  | STABILAZER WIDTH:<br>2040/2850 | DRAWING:<br>C:\USERS\STEFAN\ANLIFT\DATA\LIFT - DATA\LIFTDATA\LEV. &<br>IGANGV\ERENDE LIFTEIDANLIFT WD-TJ SERIE & PD-V<br>SERIE:PD143V\31143123 PALFINGER GMBH (MAN TGE)02 - TEKNISK<br>DRAWING:31143123 |                     |                    |



- WORKING WITH OUTRIGGERS, CAGE LOAD 100 KG
- WORKING WITH OUTRIGGERS, CAGE LOAD 265 KG
- WORKING WITHOUT OUTRIGGERS, CAGE LOAD 100 KG
- WORKING WITHOUT OUTRIGGERS, CAGE LOAD 265 KG
- WORKING WITH LS OUTRIGGERS, CAGE LOAD 100 KG
- WORKING WITH LS OUTRIGGERS, CAGE LOAD 265 KG



**PALFINGER**  
Palfinger Platforms GmbH

PLATFORM: PALFINGER      TYPE: PD143V  
 VEHICLE: MAN TGE      TYPE: 6.160

EQUIPMENT:  
----  
 STABILAZER WIDTH:  
2040/2850

|  |                     |                    |
|--|---------------------|--------------------|
| DWG BY:<br>StefanRytter  | DATE:<br>23.01.2026 | REV:<br>23.01.2026 |
| DRAWING:<br>C:\USERS\STEFAN\ANILIFT\ANILIFT - DATA\LIFTDATA\LEV.&<br>IGANGVÆRENDE LIFTE\ANILIFT WDT-J SERIE & PD-V SERIE\PD143V\31143123<br>PALFINGER GMBH (MAN TGE)\02 - TEKNISK SPECIFIKATIONER\<br>DRAWING 31143123-W |                     |                    |

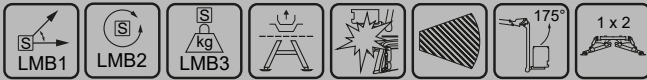


**Medium Series**  
**PD143V**

**Telescopic platform with movable cage boom mounted on van or chassis**



## Standard features



## Options



## Technical specifications

|                      |         |
|----------------------|---------|
| Max. working height: | 14.3 m  |
| Max. outreach:       | 9.6 m   |
| Cage load capacity:  | 230 kg  |
| Total weight:        | 5500 kg |
| Payload capacity:    | 1000 kg |
| Platform rotation:   | 460°    |
| Safe working angle:  | 2°/5°   |
| Isolation:           | 1000V   |

## Key features

The Medium Series is slightly more sturdy than the Light Series. The Medium Series platforms have sensors on all functions, making it possible to fully utilize the workspace. They come with a max. cage capacity of 265 kg. and have a 175° movable cage boom, and cage rotation of 2x80° is an option. The PD-series comes with a memory function for different settings as well and it has lots of possibilities when it comes to options.

### Additional specifications:

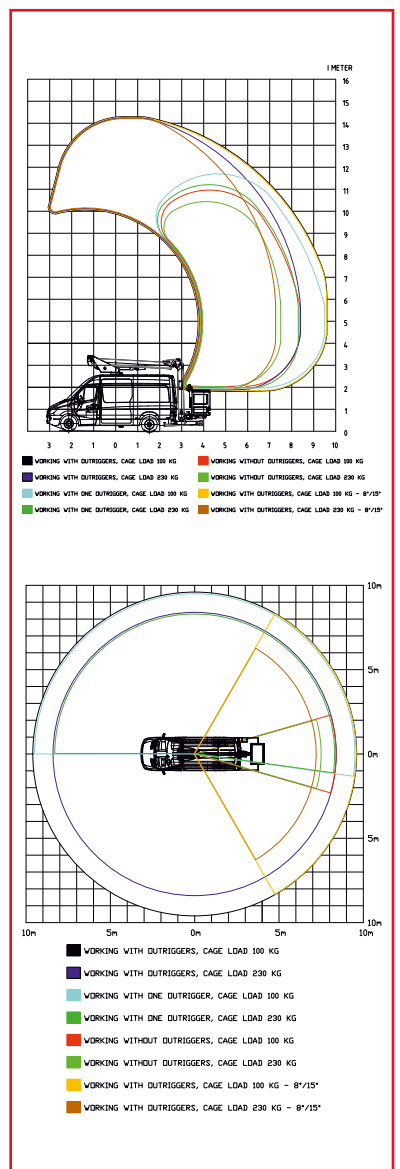
Short wheelbase. 175° movable cage boom. OD-type outriggers. Electric/hydraulic control. Subframe and outriggers are galvanized. Home function. Operating without outriggers. Outriggers can be deployed even when the platform is not in transport position. Electronic cabin protection. Various flashlights. Ramp up/down functions on booms ensuring a long service life. Horizontal outreach is adjusted according to cage load - from 100 to 230/265 kg. We recommend a wheelbase of approx. 3500 to 3700 mm.

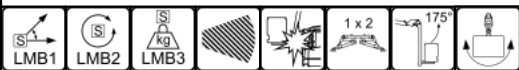
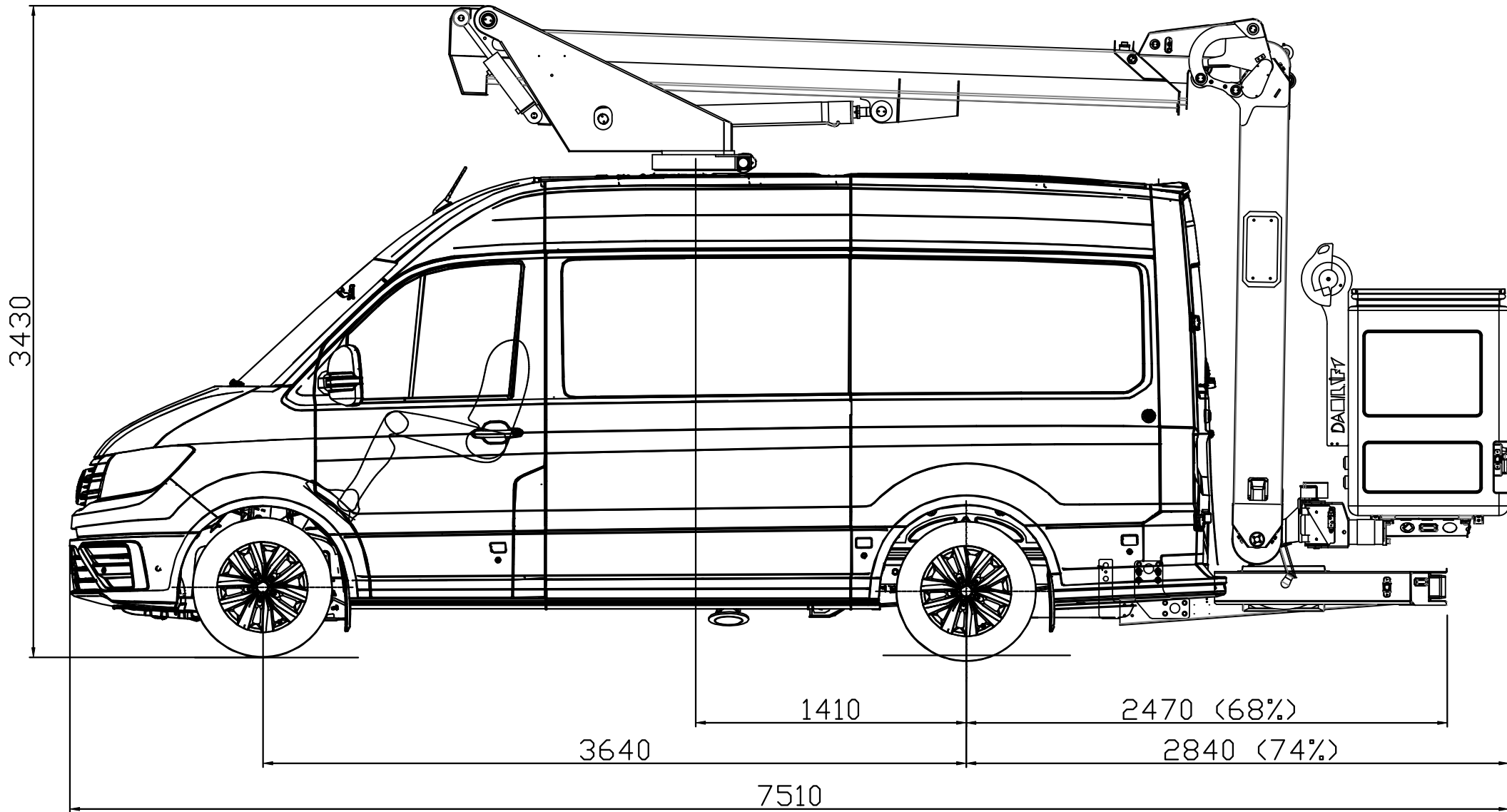
## Images



The images in this literature may show options. Palfinger GMBH reserves the right to change technical information without notice.

## Diagrams





**PALFINGER**  
Palfinger Platforms GmbH

PLATFORM: PALFINGER  
VEHICLE: MAN TGE

TYPE: PD143V  
TYPE: 6.160

EQUIPMENT:  
----

STABILAZER WIDTH:  
2040/2850

|  |                     |                    |
|--|---------------------|--------------------|
| DWG BY:<br>StefanRytter  | DATE:<br>22.01.2026 | REV:<br>23.01.2026 |
| DRAWING:<br>C:\USERS\STEFAN\ANILIFT\ANILIFT - DATA\LIFTDATA\LEV.&<br>IGANGVÆRENDE LIFT\ANILIFT WDT-J SERIE & PD-V SERIE\PD143V31143123<br>PALFINGER GMBH (MAN TGE)\02 - TEKNISK SPECIFIKATIONER\<br>DRAWING 31143122-W |                     |                    |

**TECHNISCHE DATEN****31143123****Hauptabmessungen**

|                            |        |
|----------------------------|--------|
| Durchfahrtshöhe            | 3.43 m |
| Gesamtlänge (Fahrzustand)  | 7.51 m |
| Gesamtbreite (Fahrzustand) | 2.04 m |
| Abstützbreite              | 2.04 m |
| max. Abstützbreite         | 2.85 m |

**Gerätedaten**

|                                  |           |
|----------------------------------|-----------|
| Arbeitshöhe                      | 14.15 m   |
| Plattformhöhe                    | 12.15 m   |
| Dabei seitliche Ausladung        | 9.70 m    |
| Drehbereich des Gerätes          | 2 x230 g. |
| Schwenkbereich des Arbeitskorbes |           |

**Zulässige Aufstellungsgenauigkeit****2/5g.****Gewichte**

|                                  |         |
|----------------------------------|---------|
| zul. Ges.- Gewicht des fahrzeugs | 4420 kg |
| Gewicht WT-Gerät (ohne Fahrzeug) | 1920 kg |
| Zulässige Korblast               | 265 kg  |

**Elektrische Anlage**

|                                  |         |
|----------------------------------|---------|
| Stromversorgung von Untergestell | 12 VDC  |
| Zum Korb (Fremdeinspeisung)      | 230 VAC |
| Fahrzeug (Bordspannung)          | 12 VDC  |

**Arbeitszeiten (ca.-Werte)**

|                                      |         |
|--------------------------------------|---------|
| (hubarm aufgerichtet)                |         |
| Teleskop ein- bzw. ausfahren         | 16/16 s |
| Korbarm auf bzw. ab                  | 24/24 s |
| (Teleskop eingefahren)               |         |
| Schwenken rechts bzw. links (360 g.) | 84/84 s |
| Hubarm auf bzw. ab (90g.)            | 31/31 s |

**Hydraulische Anlage****Hydraulikölserte****HDZ 22**